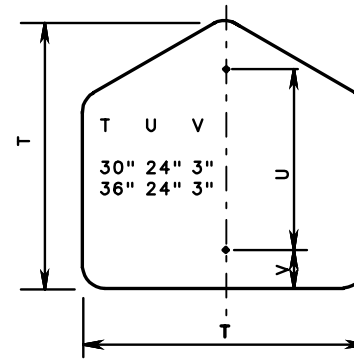
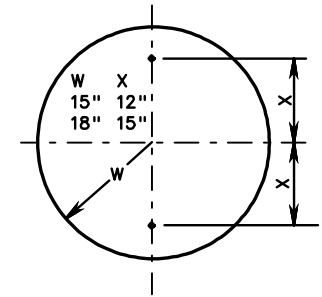


HORIZONTAL RECTANGLE

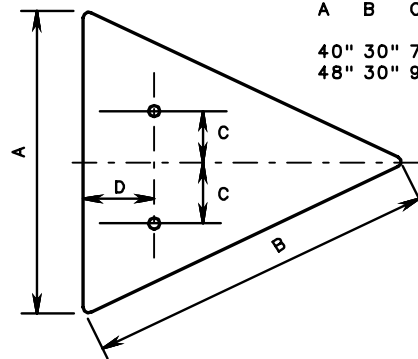
Q	R	S
18"	6"	1 1/2"
18"	12"	1 1/2"
20"	6"	1 1/2"
21"	15"	1 1/2"
24"	9"	1 1/2"
24"	12"	1 1/2"
24"	18"	3"
30"	15"	1 1/2"
30"	24"	3"
36"	12"	1 1/2"
36"	18"	2"
36"	24"	3"
42"	24"	3"
45"	36"	3"
48"	24"	3"
48"	36"	3"
48"	42"	4"
54"	24"	3"
54"	30"	3"



PENTAGON



CIRCLE



ISOSCELES TRIANGLE

A	B	C	D
40"	30"	7 1/2"	12"
48"	30"	9"	15"

SPECIFICATION REFERENCE

701

PUNCHING REQUIREMENTS FOR SIGN PANELS
SINGLE POST INSTALLATIONS
 VIRGINIA DEPARTMENT OF TRANSPORTATION

VDOT

ROAD AND BRIDGE STANDARDS

REVISION DATE

SHEET 2 OF 2

1326.11