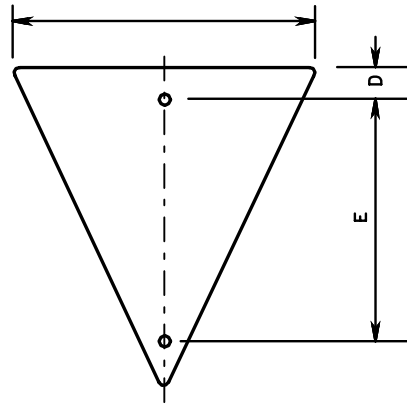


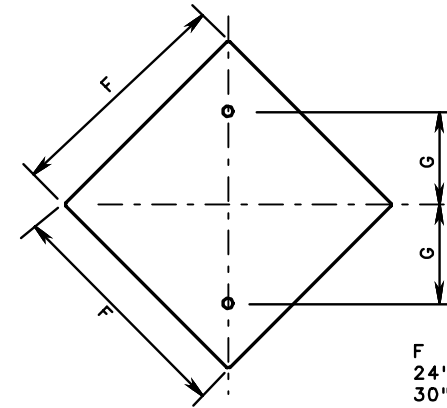
OCTAGON

A	B
24"	3"
30"	3"
36"	3"
48"	4"



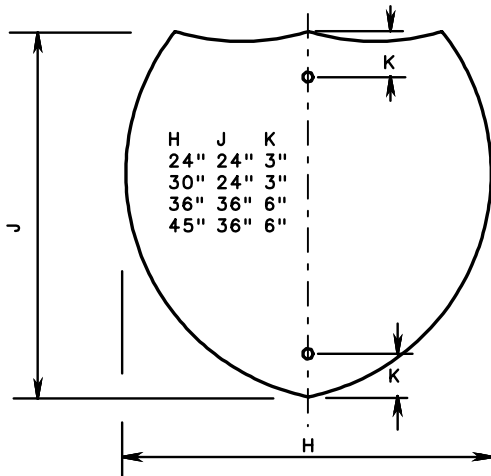
EQUILATERAL TRIANGLE

C	D	E
30"	3"	18"
36"	3"	21"
48"	6"	27"
60"	6"	34"



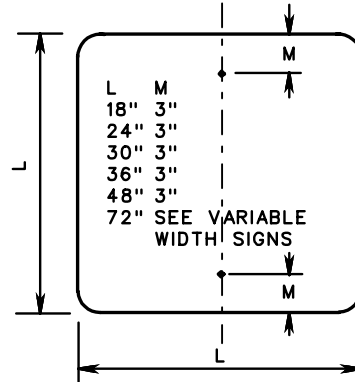
DIAMOND

F	G
24"	12"
30"	15"
36"	18"
48"	24"
60"	30"



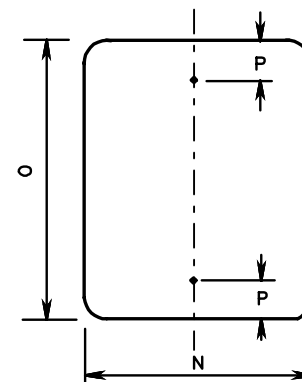
INTERSTATE SHIELD

H	J	K
24"	24"	3"
30"	24"	3"
36"	36"	6"
45"	36"	6"



SQUARE

L M
18" 3"
24" 3"
30" 3"
36" 3"
48" 3"
72" SEE VARIABLE
WIDTH SIGNS



VERTICAL RECTANGLE

N	O	P
12"	18"	1/2"
12"	72"	4"
18"	24"	3"
24"	30"	3"
30"	36"	3"
30"	60"	5"
36"	48"	3"
42"	48"	3"
48"	60"	5"

NOTE:

ALL HOLES SHALL BE 7/16" IN DIAMETER.



ROAD AND BRIDGE STANDARDS

PUNCHING REQUIREMENTS FOR SIGN PANELS

SPECIFICATION REFERENCE

SHEET 1 OF 2

REVISION DATE

SINGLE POST INSTALLATIONS

701

1326.10

VIRGINIA DEPARTMENT OF TRANSPORTATION