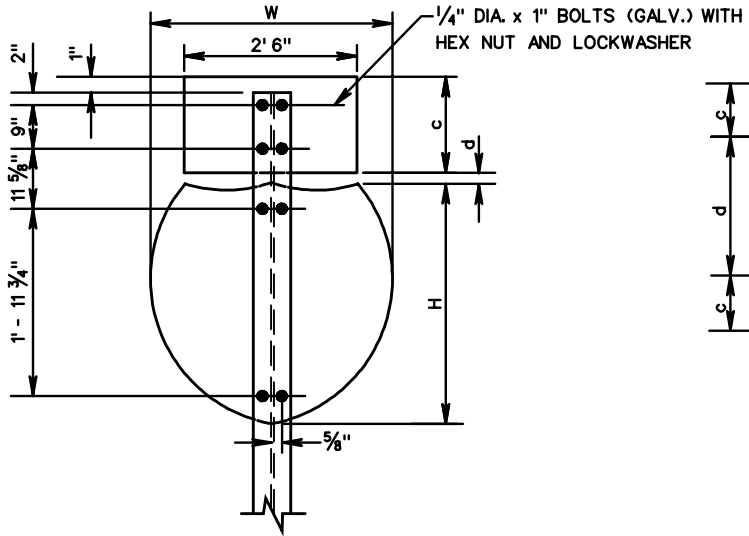
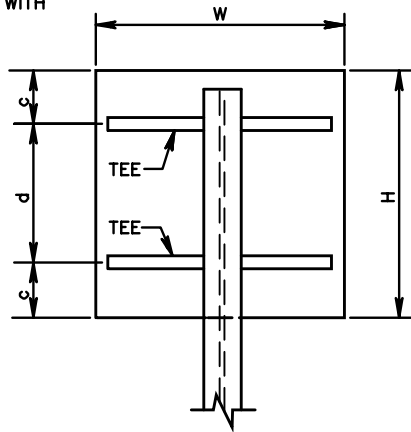


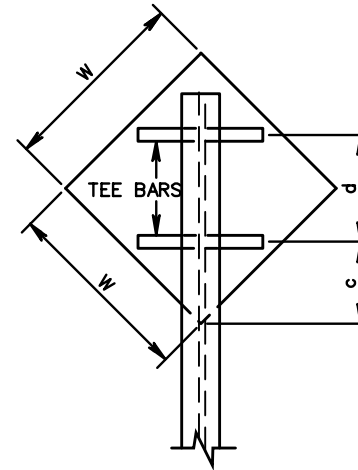
TYPE VA-A



TYPES VA-B, VA-C, VA-D, VA-E, VA-L AND VA-M

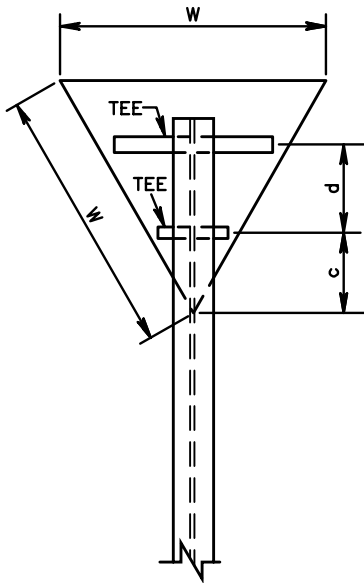


TYPE VA-F

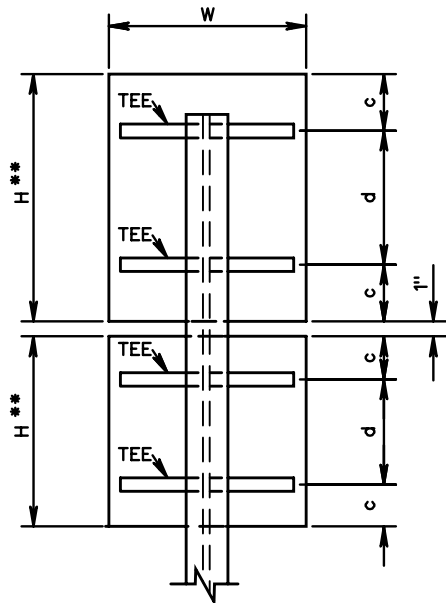


UNLESS OTHERWISE NOTED THE TOP OF THE SIGN PANEL SHALL NOT EXTEND ABOVE THE SIGN POST NO GREATER THAN THE DISTANCE OF  $\frac{1}{2} C$

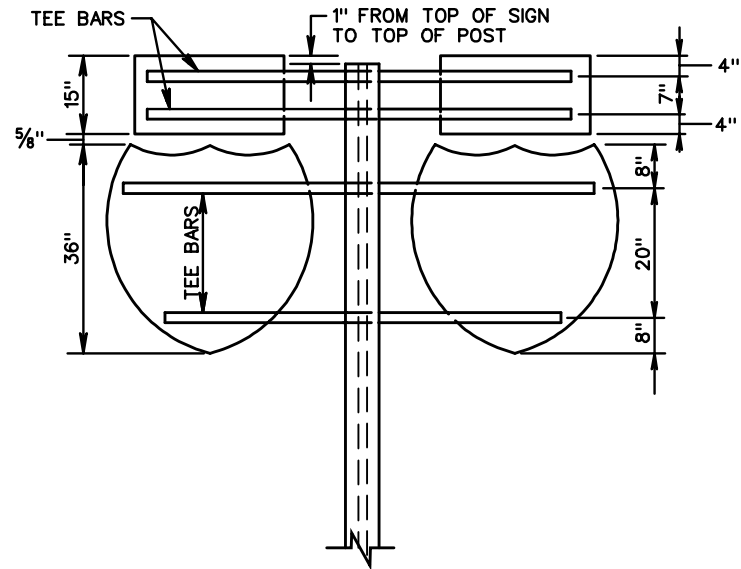
TYPE VA-G



TYPE VA-K



TYPE VA-A2



ROAD AND BRIDGE STANDARDS

SHEET 1 OF 2

REVISION DATE

1325.40

SIGN PANEL DESIGN

VIRGINIA DEPARTMENT OF TRANSPORTATION

SPECIFICATION REFERENCE

701