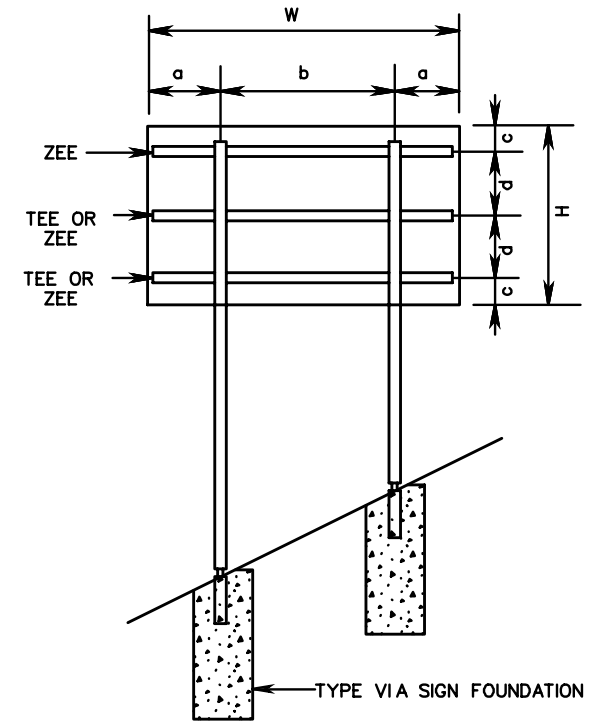


SIGN PANEL DIMENSIONS		SIGN PANEL ATTACHMENT DETAILS							
		a	b	c	d	ZEE BAR		TEE	CLAMPS
W	H					NO.	SIZE	NO.	NO.
12'	4'	2'-0"	8'-0"	14"	20"	2	B	0	0
11'	5'	1'-6"	8'-0"	16"	28"	2	B	0	0
10'	6'	1'-0"	8'-0"	12"	4'-0"	1	B	1	4
12'	6'	2'-0"	8'-0"	12"	4'-0"	1	B	1	4
14'	6'	3'-0"	8'-0"	12"	4'-0"	2	B	0	0
16'	6'	3'-6"	9'-0"	12"	4'-0"	2	C	0	0
18'	6'	4'-0"	10'-0"	12"	4'-0"	2	C	0	0
20'	6'	4'-6"	11'-0"	12"	4'-0"	2	D	0	0
22'	6'	4'-10"	12'-4"	12"	4'-0"	2	E	0	0
24'	6'	5'-4"	13'-4"	12"	4'-0"	2	E	0	0
26'	6'	5'-10"	14'-4"	12"	4'-0"	2	E	0	0
28'	6'	6'-3"	15'-6"	12"	4'-0"	2	E	0	0
30'	6'	6'-8"	16'-8"	12"	4'-0"	2	E	0	0
10'	8'	1'-0"	8'-0"	12"	3'-0"	1	B	2	8
12'	8'	2'-0"	8'-0"	12"	3'-0"	1	B	2	8
14'	8'	3'-0"	8'-0"	12"	3'-0"	1	B	2	8
16'	8'	3'-6"	9'-0"	12"	3'-0"	3	B	0	0
18'	8'	4'-0"	10'-0"	12"	3'-0"	3	C	0	0
20'	8'	4'-6"	11'-0"	12"	3'-0"	3	C	0	0
22'	8'	4'-10"	12'-4"	12"	3'-0"	3	D	0	0
24'	8'	5'-4"	13'-4"	12"	3'-0"	3	D	0	0
26'	8'	5'-10"	14'-4"	12"	3'-0"	3	D	0	0
28'	8'	6'-3"	15'-6"	12"	3'-0"	3	E	0	0
30'	8'	6'-8"	16'-8"	12"	3'-0"	3	E	0	0
10'	10'	1'-0"	8'-0"	18"	3'-6"	1	B	2	8
12'	10'	2'-0"	8'-0"	18"	3'-6"	1	B	2	8
14'	10'	3'-0"	8'-0"	18"	3'-6"	1	B	2	8
16'	10'	3'-6"	9'-0"	18"	3'-6"	1	B	2	8
18'	10'	4'-0"	10'-0"	18"	3'-6"	3	C	0	0
20'	10'	4'-6"	11'-0"	18"	3'-6"	3	C	0	0
22'	10'	4'-10"	12'-4"	18"	3'-6"	3	C	0	0



SPECIFICATION REFERENCE

701

SIGN PANEL DESIGN

VIRGINIA DEPARTMENT OF TRANSPORTATION

VDOT

ROAD AND BRIDGE STANDARDS

REVISION DATE

SHEET 1 OF 3

1325.30