

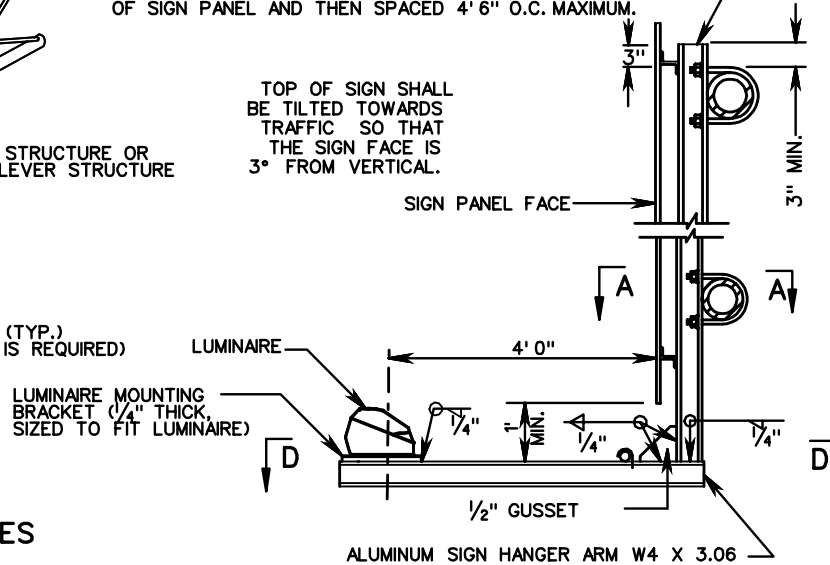
SIGN ATTACHMENT TO TRUSS-TYPE STRUCTURES

**SIGN HANGER ERECTION DETAIL WITH LUMINAIRE**

(WHEN NO LUMINAIRE RETRIEVAL SYSTEM IS REQUIRED)

ALUMINUM SIGN HANGER W4 X 3.06 PLACED NO GREATER THAN 2' 3" FROM THE LEFT AND RIGHT EDGES OF SIGN PANEL AND THEN SPACED 4' 6" O.C. MAXIMUM.

TOP OF SIGN SHALL BE TILTED TOWARDS TRAFFIC SO THAT THE SIGN FACE IS 3° FROM VERTICAL.

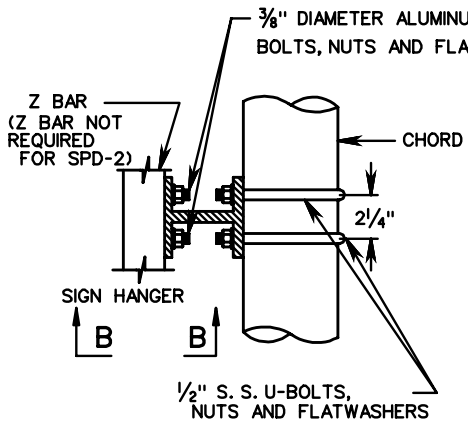


**NOTE**

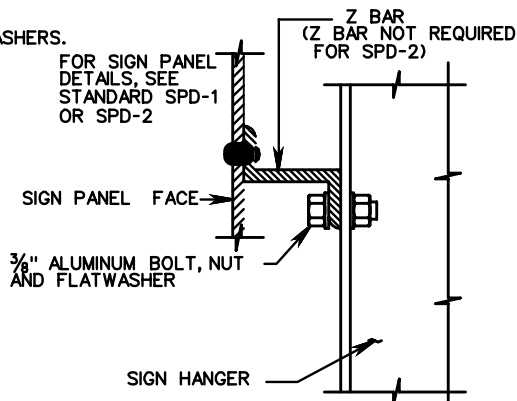
LUMINAIRES REQUIRED WHERE INDICATED ON THE PLANS.

LUMINAIRE TO BE ATTACHED TO MOUNTING BRACKET WITH 4, 3/8" DIA. GALVANIZED CAP SCREWS, LOCKWASHERS AND NUTS.

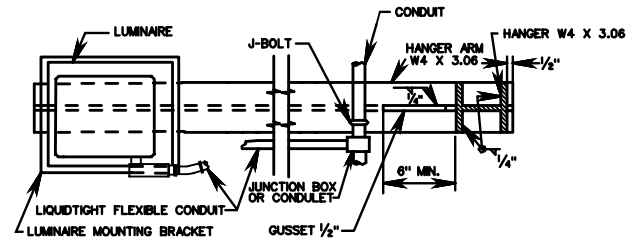
**SECTION A-A**



**SECTION B-B**



**SECTION D-D**



ROAD AND BRIDGE STANDARDS

SHEET 7 OF 7

REVISION DATE

1324.16

**OVERHEAD SIGN STRUCTURE**

**HANGER AND LUMINAIRE DETAIL**

VIRGINIA DEPARTMENT OF TRANSPORTATION

SPECIFICATION REFERENCE

700