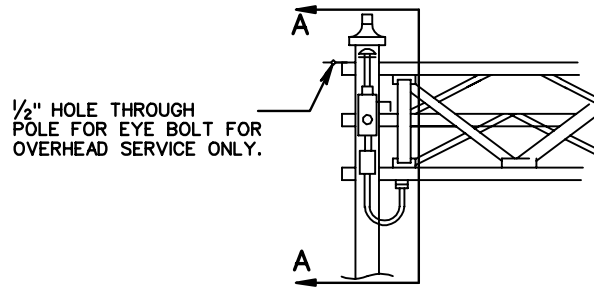


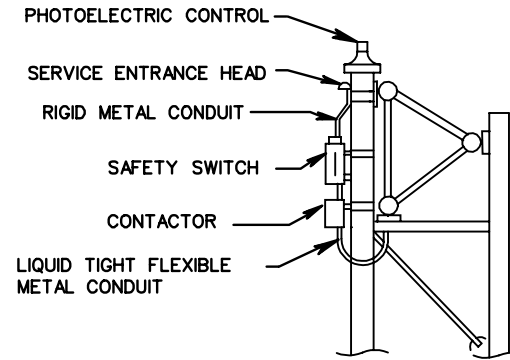
ELECTRIC DETAILS FOR SIGN LIGHTING

SPAN SIGN STRUCTURE

FRONT VIEW

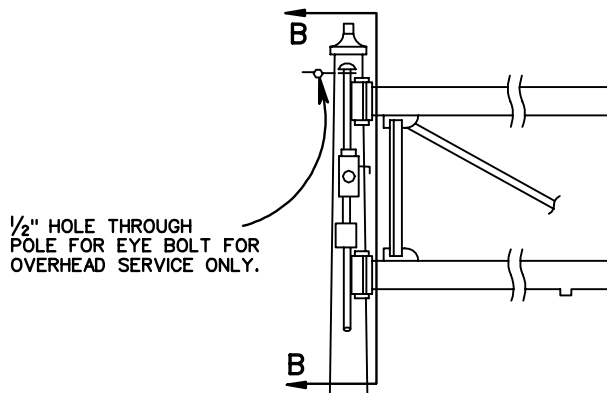


SECTION A-A

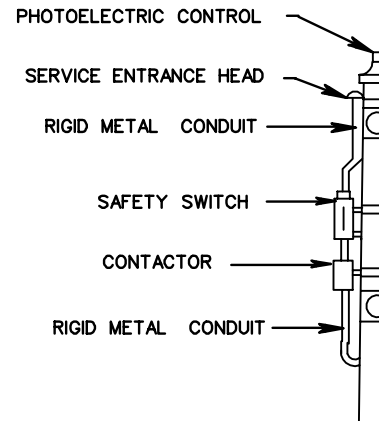


CANTILEVER SIGN STRUCTURE

FRONT VIEW



SECTION B-B



NOTE:

A SAFETY SWITCH SHALL BE INSTALLED ON ALL SIGN STRUCTURES REQUIRING ELECTRICAL POWER. ELECTRICAL SERVICE FOR SIGN STRUCTURES NOT CONTROLLED BY A CONTROL CENTER SHALL HAVE A PHOTOCELL AND A PHOTOCELL CONTROLLED CONTACTOR TO CONTROL THE ELECTRICAL POWER TO LUMINAIRES. THE CONTACTOR SHALL BE IN A NEMA 3R ENCLOSURE LOCATED WITHIN 24 INCHES OF THE SAFETY SWITCH.

ALL CONDUIT LOCATED IN OR ON OVERHEAD SIGN STRUCTURE SHALL BE 3/4" MINIMUM.



ROAD AND BRIDGE STANDARDS

SHEET 5 OF 7

REVISION DATE

1324.14

OVERHEAD SIGN STRUCTURE

ELECTRICAL DETAILS FOR SIGN LIGHTING

VIRGINIA DEPARTMENT OF TRANSPORTATION

SPECIFICATION REFERENCE

700