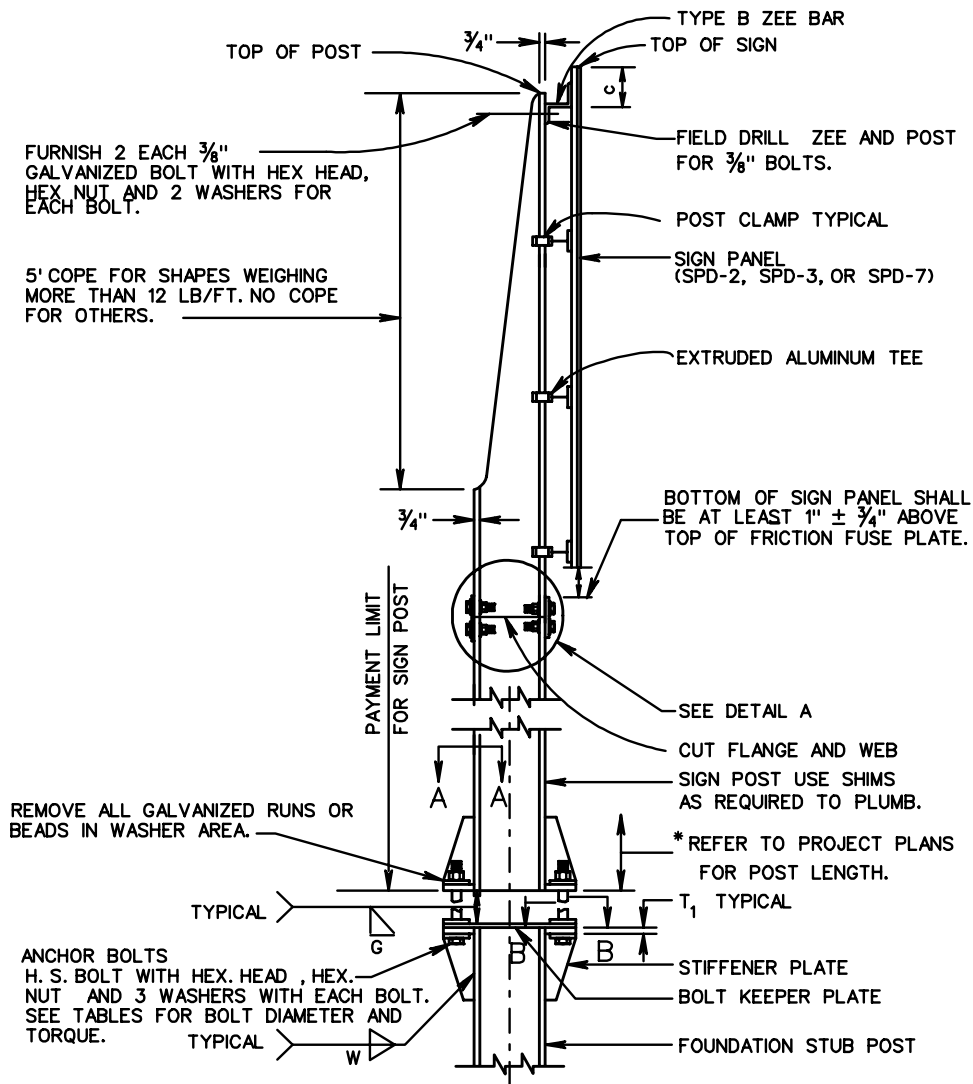


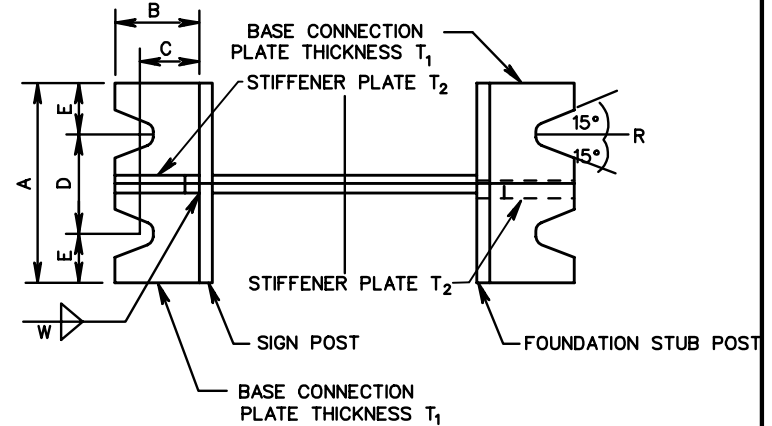
SIGN POST AND FOUNDATION STUB POST ELEVATION



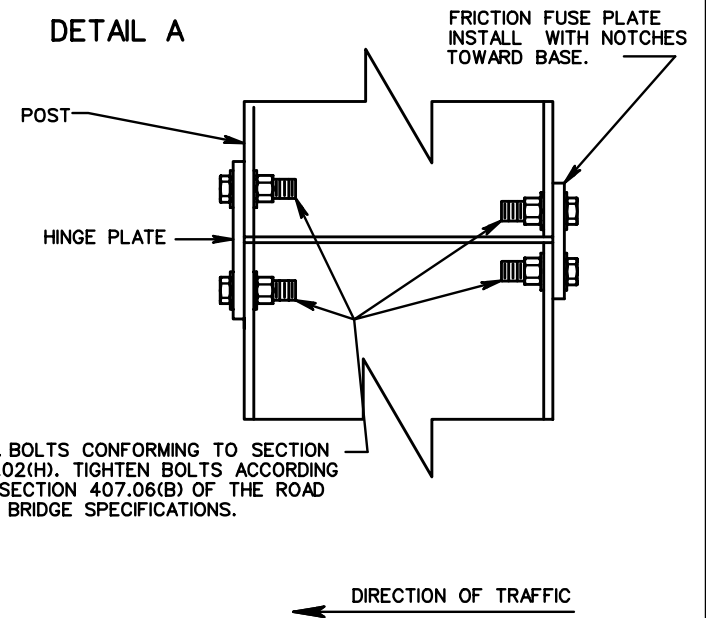
* ALL POST LENGTHS SHALL BE FIELD CHECKED BY CONTRACTOR PRIOR TO FABRICATION.

SECTION A-A

SECTION B-B



DETAIL A



SPECIFICATION REFERENCE

700

INTERSTATE SIGN STRUCTURE
INSTALLATION DETAILS

VIRGINIA DEPARTMENT OF TRANSPORTATION

VDOT

ROAD AND BRIDGE STANDARDS

REVISION DATE

SHEET 2 OF 10

1323.11