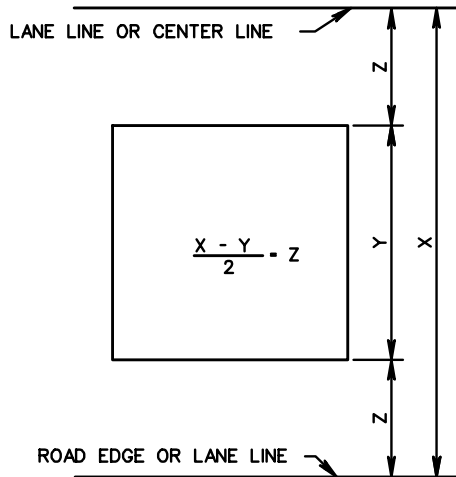
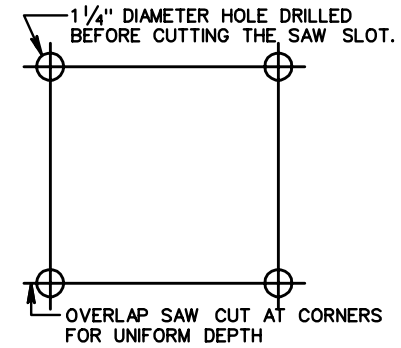


SECTION B-B SAW CUTS AND METAL CONDUITS SHALL BE A MINIMUM 6" BETWEEN ADJACENT SAW CUTS AND CONDUITS. IF THE JUNCTION BOX WIDTH REQUIRES THE CONDUITS TO BE CLOSER THAN 6", THE CONDUITS SHALL BE 6" BETWEEN EACH OTHER AT THE END OF THE SAW CUT AND THEN TAPERED TO THE REQUIRED SPACING AT THE JUNCTION BOX.

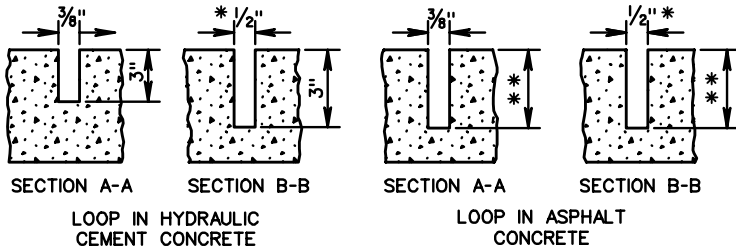
TYPICAL LOOP WIRE PLAN



TYPICAL LANE COVERAGE DIAGRAM



TYPICAL SAW CUT DIAGRAM



* SAW SLOT SHALL BE 5/8" WHEN LOOP DETECTOR CABLE ENCLOSED IN TUBING IS INSTALLED.

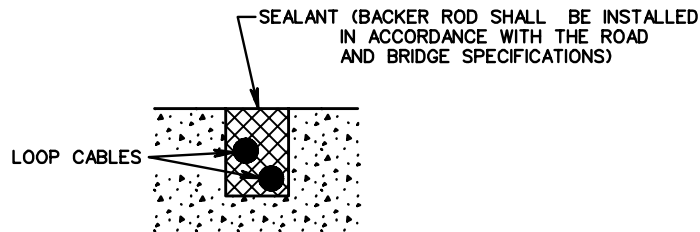
IN NEW ASPHALT CONCRETE ROADWAYS, SAW SLOTS SHALL BE CUT INTO THE BASE COURSE TO A DEPTH OF 3".

IN EXISTING ASPHALT CONCRETE ROADWAYS WHICH ARE TO BE PLANNED, SAW SLOTS SHALL BE CUT INTO THE POST MILLING SURFACE TO A DEPTH OF 3".

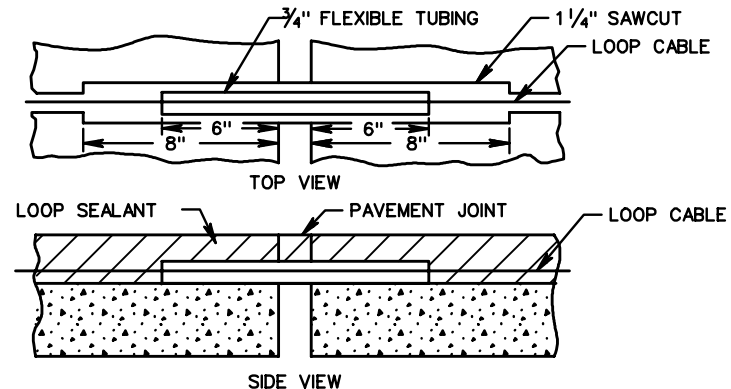
IN EXISTING ASPHALT CONCRETE ROADWAYS WHICH ARE NOT TO BE PLANNED, SAW SLOTS SHALL BE CUT INTO THE EXISTING SURFACE TO A DEPTH OF 4".

DEPTH OF SAW CUT SHALL BE MEASURED FROM PAVEMENT SURFACE AT TIME OF INSTALLATION. NOT NECESSARILY FINISHED GRADE.

TYPICAL SAW SLOT DETAIL



CROSS SECTION TYPICAL SEALED SLOT



INSTALLATION OF LOOP CABLE ACROSS HYDRAULIC CEMENT CONCRETE PAVEMENT JOINTS



ROAD AND BRIDGE STANDARDS

SHEET 1 OF 2

REVISION DATE

1315.10

LOOP DETECTOR INSTALLATION DETAIL

VIRGINIA DEPARTMENT OF TRANSPORTATION

SPECIFICATION REFERENCE

703