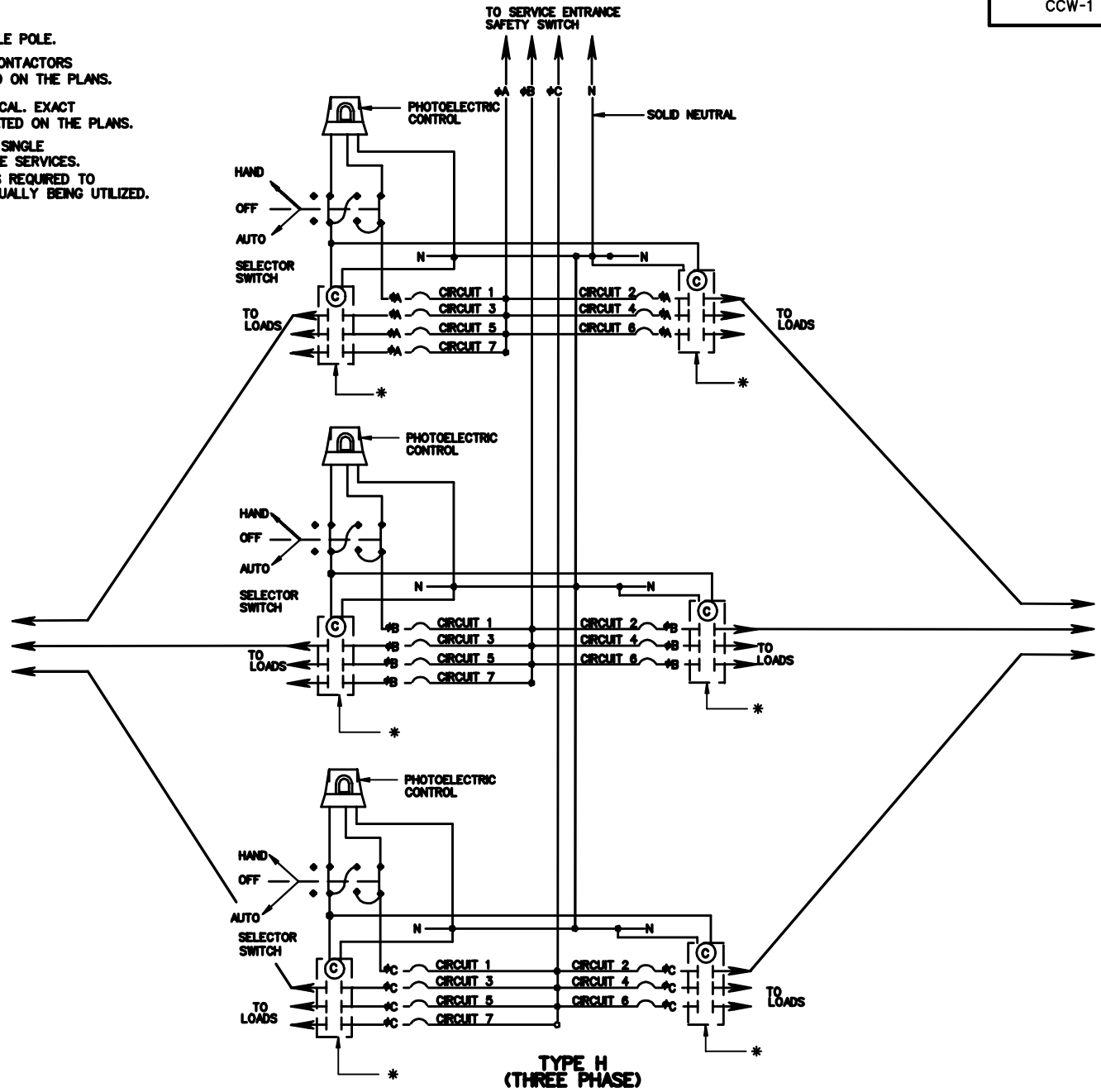


NOTES:

ALL CIRCUIT BREAKERS SHALL BE SINGLE POLE.
 VOLTAGE AND AMPERAGE RATING OF CONTACTORS
 AND BREAKERS SHALL BE AS INDICATED ON THE PLANS.

NUMBER OF CIRCUITS SHOWN ARE TYPICAL. EXACT
 NUMBER REQUIRED SHALL BE AS INDICATED ON THE PLANS.

* CONTACTORS SHALL BE 2 POLES FOR SINGLE
 PHASE AND 3 POLES FOR THREE PHASE SERVICES.
 NUMBER OF CONTACTORS SHALL BE AS REQUIRED TO
 HANDLE THE NUMBER OF CIRCUITS ACTUALLY BEING UTILIZED.



SPECIFICATION REFERENCE
700 705

**CONTROL CENTER WIRING
 DETAILS**
 VIRGINIA DEPARTMENT OF TRANSPORTATION

VDOT	
ROAD AND BRIDGE STANDARDS	
REVISION DATE	SHEET 4 OF 4
	1314.13