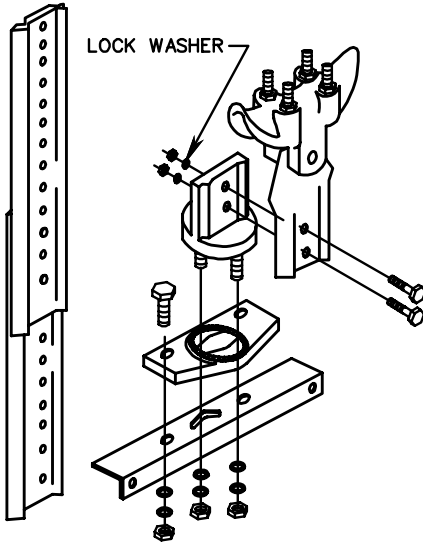


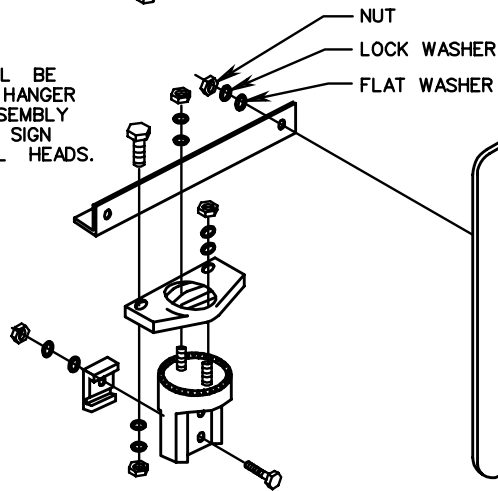
SPAN WIRE INSTALLATION

MAST ARM INSTALLATION



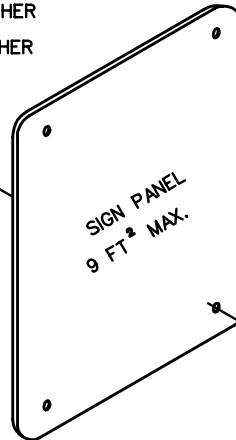
LOCK WASHER

EXTENSION SHALL BE USED WITH THE HANGER AND TETHER ASSEMBLY TO CENTER THE SIGN WITH THE SIGNAL HEADS.



SMD-1

NUT
LOCK WASHER
FLAT WASHER



SIGN PANEL
9 FT² MAX.

NYLON WASHER.
STAINLESS STEEL FENDER WASHER.

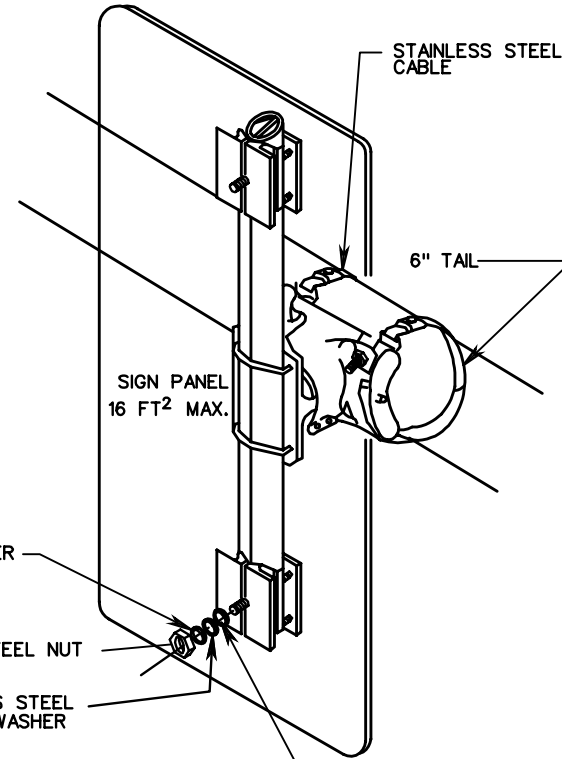
STAINLESS STEEL LOCK WASHER

STAINLESS STEEL NUT

STAINLESS STEEL FENDER WASHER

NYLON WASHER.

SMD-2



STAINLESS STEEL CABLE

6" TAIL

SIGN PANEL
16 FT² MAX.

NOTES:

NUTS AND BOLTS USED FOR ATTACHMENT OF SIGN PANEL SHALL BE STAINLESS STEEL AND 3/4" IN DIAMETER.

A 1 1/4" NYLON AND STAINLESS STEEL FENDER WASHER SHALL BE USED ON THE FRONT OF SIGN PANEL WHERE BOLT PASSES THROUGH SIGN PANEL.

ALL NUTS, BOLTS AND WASHERS SHALL BE STAINLESS STEEL OR GALVANIZED STEEL UNLESS OTHERWISE INDICATED.

SPACERS SHALL BE INSTALLED BETWEEN THE EYELET OF THE SIGN HANGER AND THE SPAN WIRE CLAMP TO ELIMINATE ANY GAP.



ROAD AND BRIDGE STANDARDS

SHEET 1 OF 1

REVISION DATE

1305.10

SIGN MOUNTING DETAILS

VIRGINIA DEPARTMENT OF TRANSPORTATION

SPECIFICATION REFERENCE

703