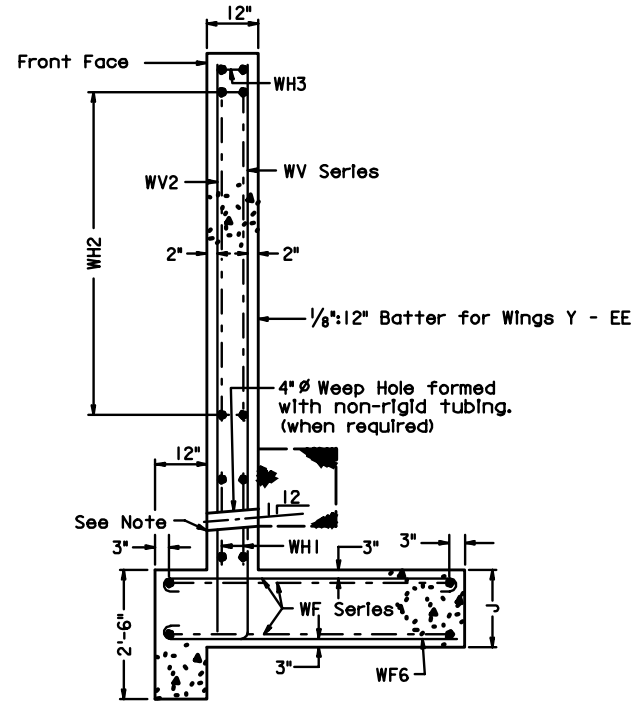
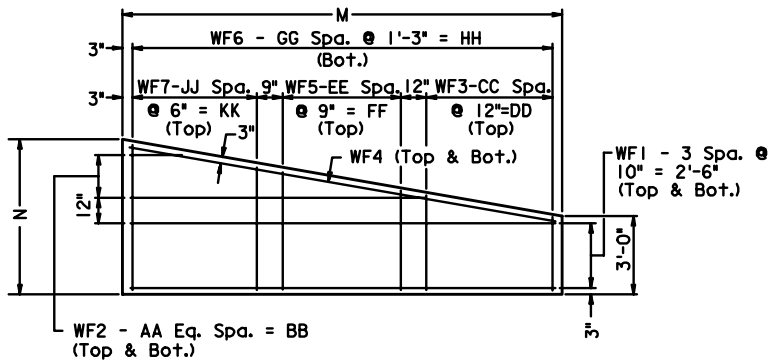


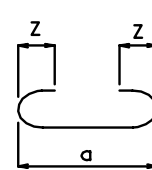
FRONT ELEVATION



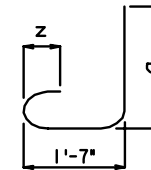
END VIEW



FOOTING PLAN



WF3, WF5, WF7



WV1, WV3, WV4

TABLE B		
Bar Size	Pin Dia.	Z
*3	2 1/4"	4"
*4	3"	4 1/2"
*5	3 3/4"	5"
*6	4 1/2"	6"
*7	5 1/4"	7"
*8	6"	8"
*9	9"	10 1/8"

TABLE C	
Bar Size	Splice Length
*4	1'-4"
*5	1'-8"
*6	1'-11"
*7	2'-4"
*8	3'-1"
*9	3'-11"



ROAD AND BRIDGE STANDARDS

SHEET 1 OF 7

REVISION DATE

1006.08

## WING DETAILS

1 1/2:1 FILL SLOPE - TYPE II

VIRGINIA DEPARTMENT OF TRANSPORTATION

SPECIFICATION REFERENCE