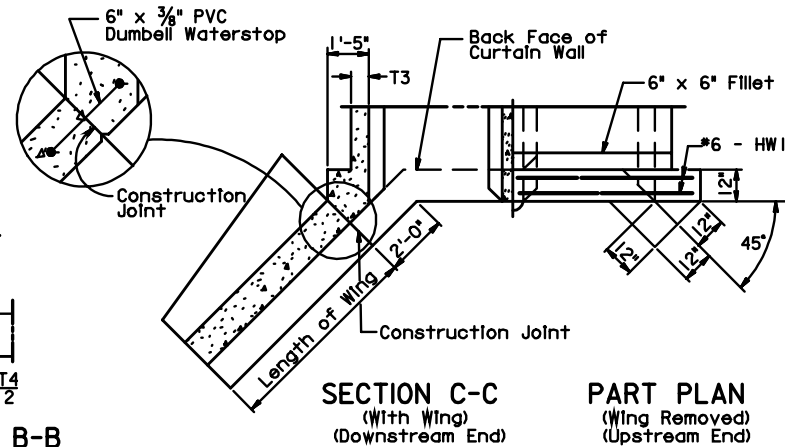
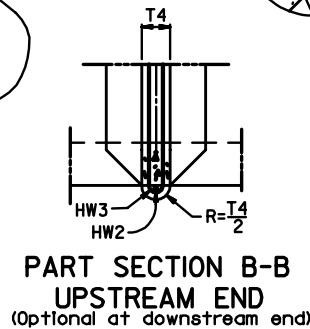
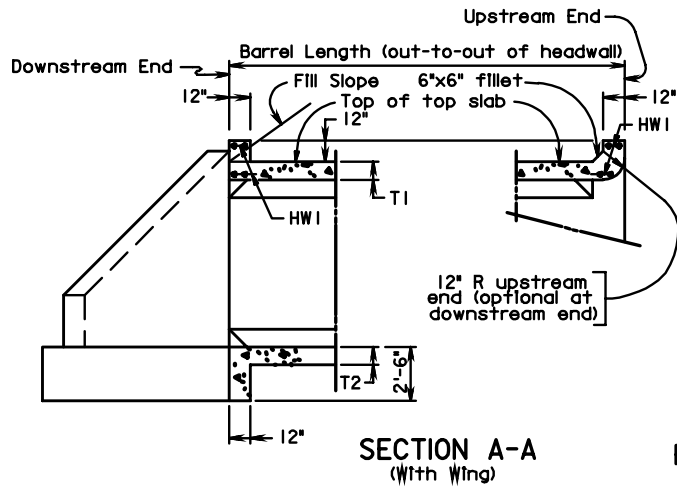


TABLE A

Bar Size	Pin Dia.
#3	2 1/4"
#4	3"
#5	3 3/4"
#6	4 1/2"
#7	5 1/4"
#8	6"
#9	9"



ROAD AND BRIDGE STANDARDS

SHEET 3 OF 3

REVISION DATE

1005.03

QUADRUPLE BOX CULVERTS
STANDARD DETAIL

VIRGINIA DEPARTMENT OF TRANSPORTATION

SPECIFICATION REFERENCE