

END ELEVATION

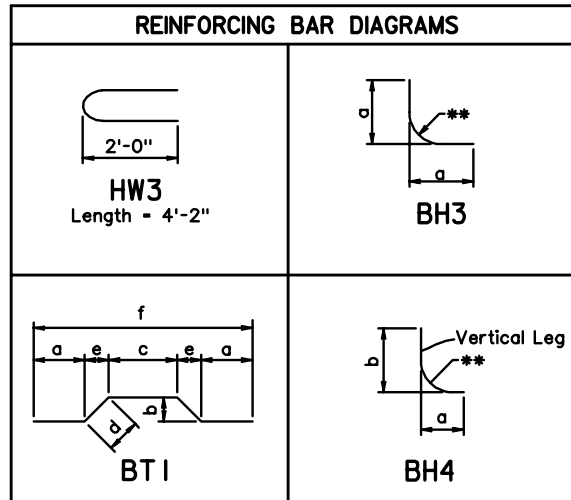
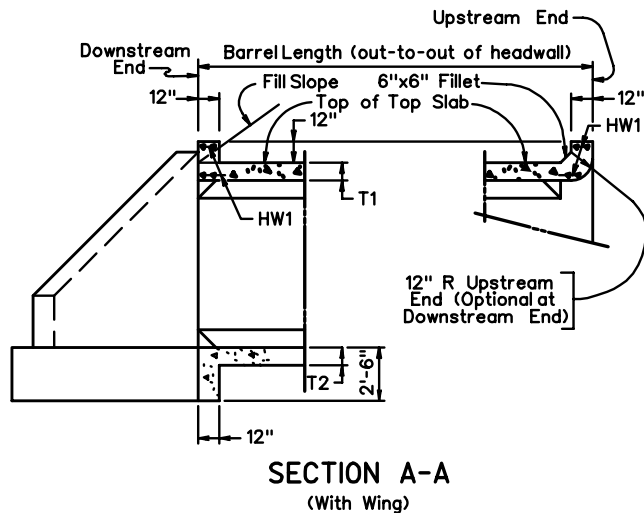
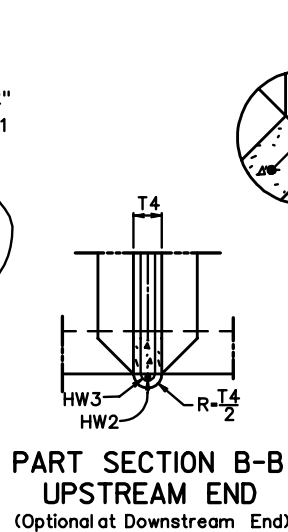


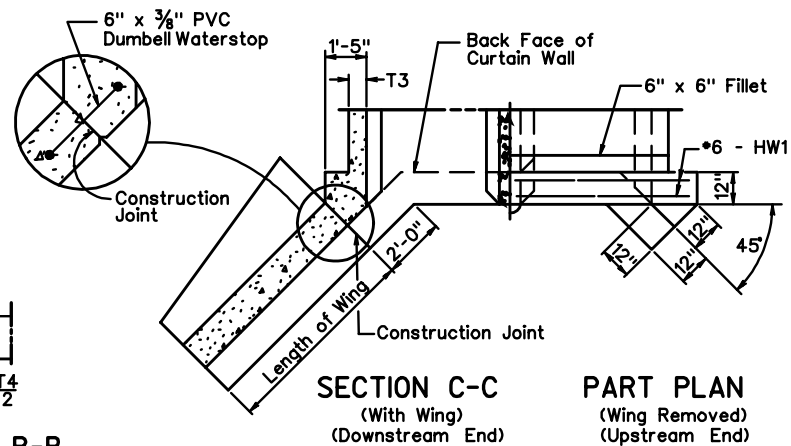
TABLE A	
Bar Size	Pin Dia.
•3	2 1/4"
•4	3"
•5	3 3/4"
•6	4 1/2"
•7	5 1/4"
•8	6"
•9	9"



SECTION A-A  
(With Wing)



PART SECTION B-B  
UPSTREAM END  
(Optional at Downstream End)



SECTION C-C  
(With Wing)  
(Downstream End)

PART PLAN  
(Wing Removed)  
(Upstream End)



ROAD AND BRIDGE STANDARDS

SHEET 3 OF 3

REVISION DATE

1003.03

**DOUBLE BOX CULVERTS  
STANDARD DETAILS**

VIRGINIA DEPARTMENT OF TRANSPORTATION

SPECIFICATION  
REFERENCE