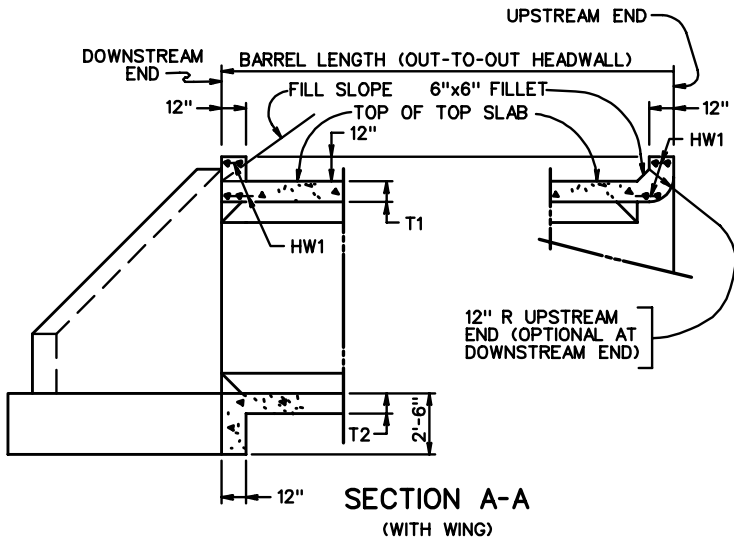
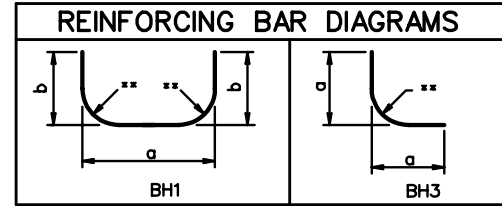
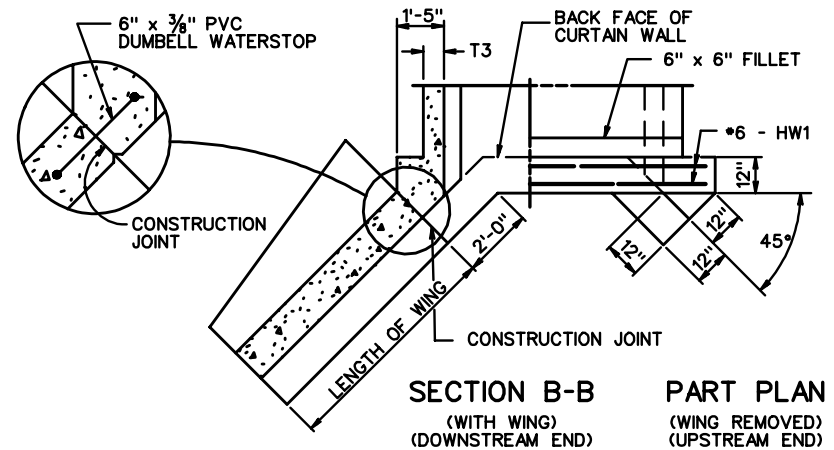


END ELEVATION



SECTION A-A  
(WITH WING)



SECTION B-B  
(WITH WING)  
(DOWNSTREAM END)

PART PLAN  
(WING REMOVED)  
(UPSTREAM END)

SPECIFICATION REFERENCE

**SINGLE BOX CULVERTS**  
**STANDARD DETAILS**

VIRGINIA DEPARTMENT OF TRANSPORTATION

<b>VDOT</b>	
ROAD AND BRIDGE STANDARDS	
REVISION DATE	SHEET 2 OF 2
1002.02	