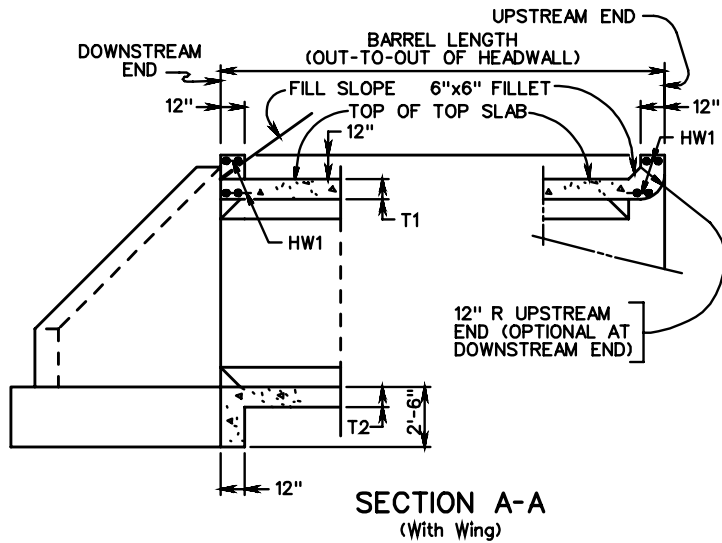
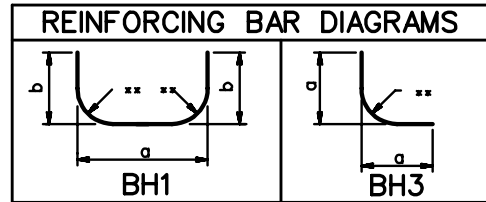
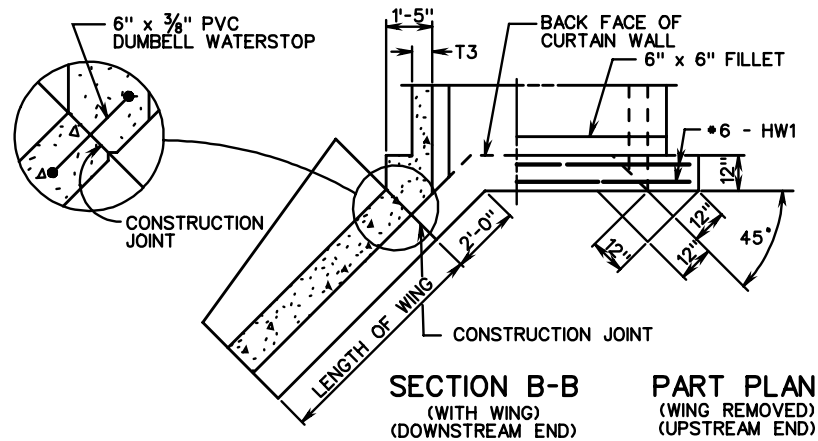


END ELEVATION



SECTION A-A  
(With Wing)



SECTION B-B  
(WITH WING)  
(DOWNSTREAM END)

PART PLAN  
(WING REMOVED)  
(UPSTREAM END)



ROAD AND BRIDGE STANDARDS

SHEET 2 OF 2

REVISION DATE

1001.02

# OVERSIZED BOX CULVERT STANDARD DETAILS

VIRGINIA DEPARTMENT OF TRANSPORTATION

SPECIFICATION  
REFERENCE