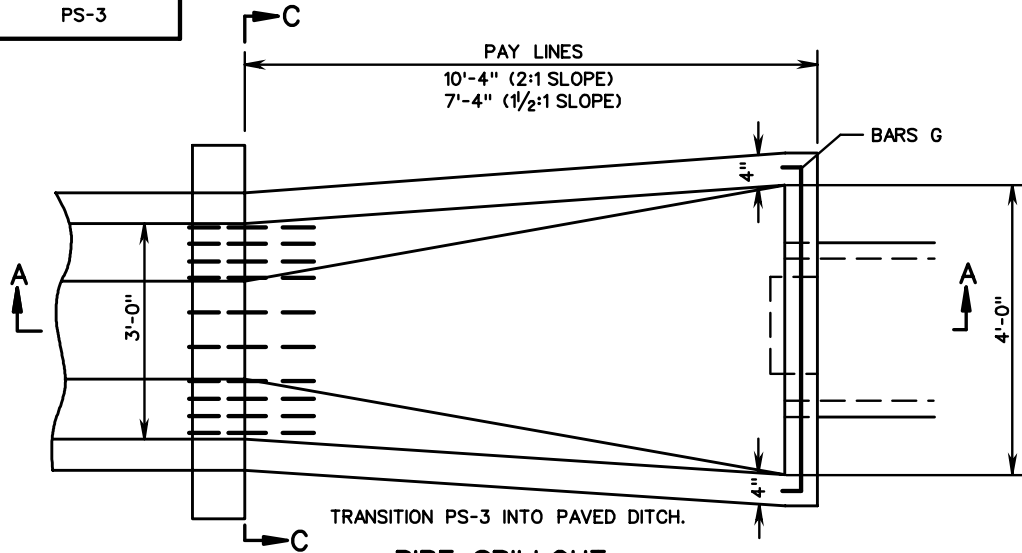
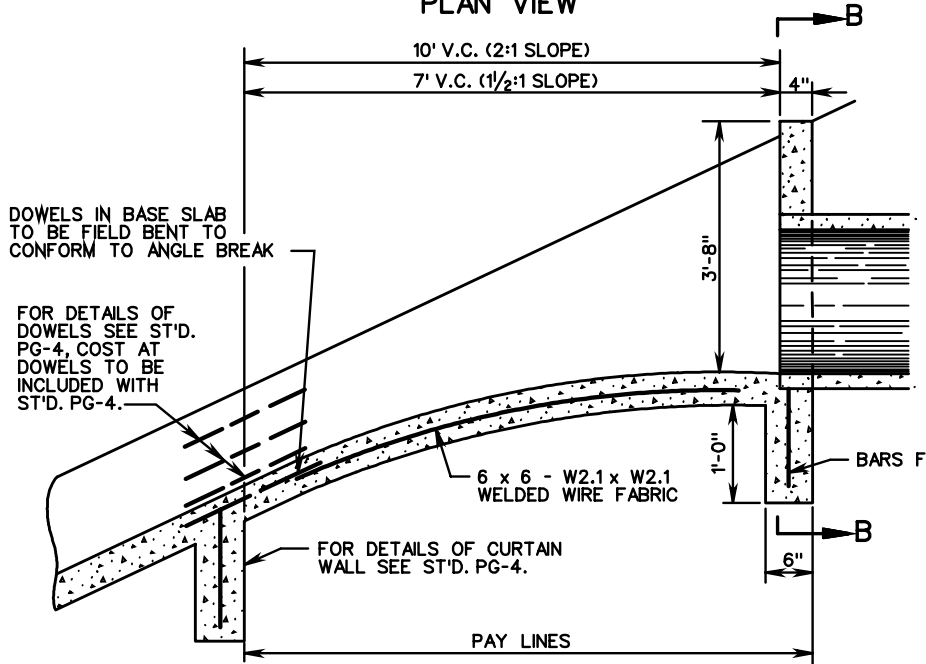


PS-3



PIPE SPILLOUT
PLAN VIEW



PIPE SPILLOUT
SECTION A-A

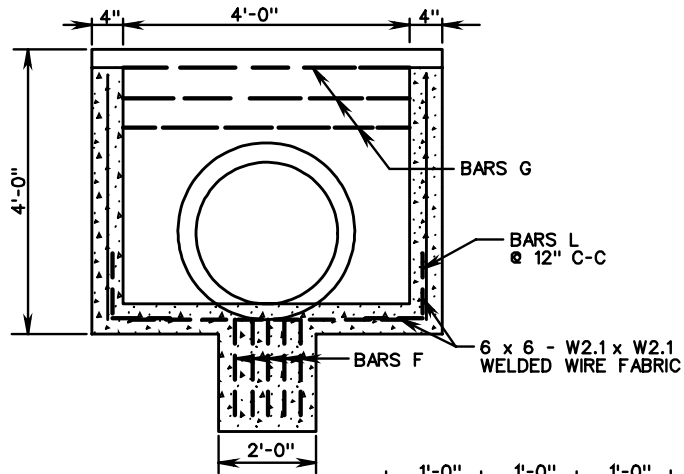
* 30" PIPE = 2 BARS - 10.46 LBS. REINFORCING STEEL
 24" PIPE = 4 BARS - 17.59 LBS. REINFORCING STEEL
 21" PIPE = 5 BARS - 21.15 LBS. REINFORCING STEEL

SCHEDULE OF REINFORCING STEEL						
MARK	NO.	LENGTH		SIZE	SPACING C-C	SHAPE
		2:1	1/2:1			
F	5	1'-0"	1'-0"	4	4"	STRAIGHT
G	*	5'-4"	5'-4"	4	4"	BENT
L	22	2'-0"		3	12"	BENT
L	16		2'-0"	3	12"	BENT

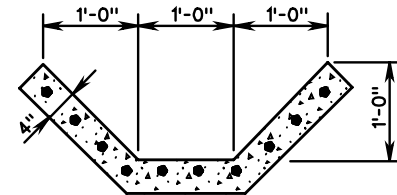
‡ QUANTITIES BASED ON 30" PIPE.

APPROXIMATE QUANTITIES			
PIPE SPILLOUT	SLOPE	CLASS A3 CONCRETE	REINFORCING STEEL
		CU. YARDS.	LBS.
	2:1	‡ 1.351	*
	1/2:1	‡ 1.037	*

NOTE:
DOWELS TO BE LOCATED AT ALL REQUIRED JOINTS.



SECTION B-B



SECTION C-C



ROAD AND BRIDGE STANDARDS

SHEET 1 OF 1

REVISION DATE

112.02

STANDARD PIPE SPILLOUT FOR 21" - 30" PIPE CULVERTS

VIRGINIA DEPARTMENT OF TRANSPORTATION

SPECIFICATION
REFERENCE

302