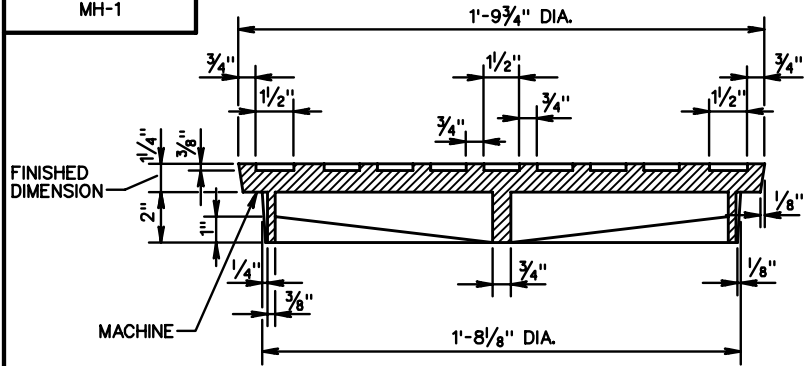
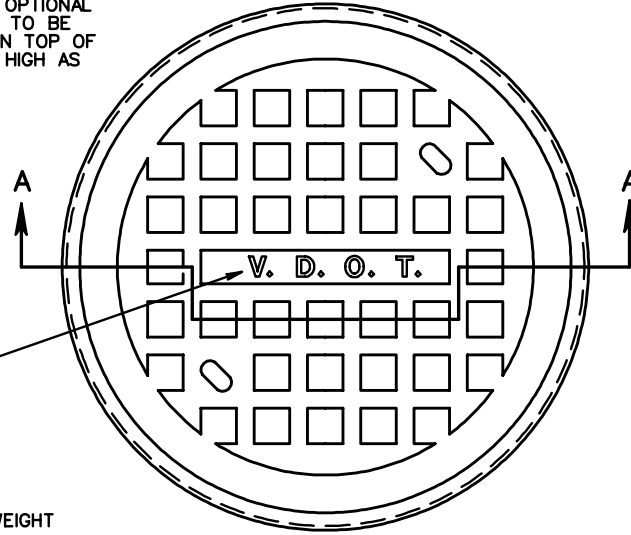


MH-1

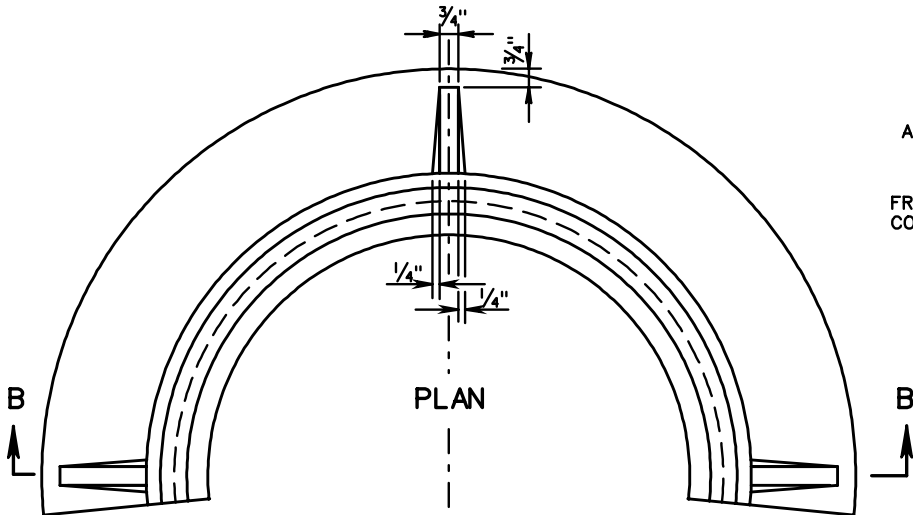


SECTION A-A

THE LETTERS V.D.O.T. ARE OPTIONAL IF USED THE LETTERS ARE TO BE CAST IN THE DEPRESSION IN TOP OF COVER 1\"/>

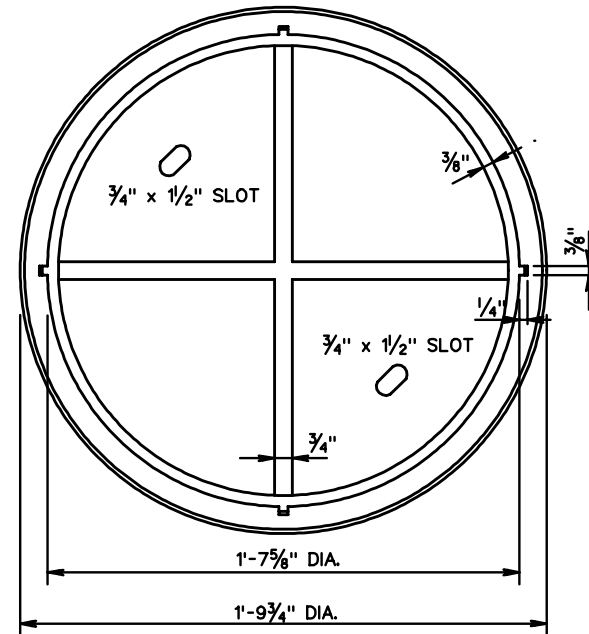


TOP

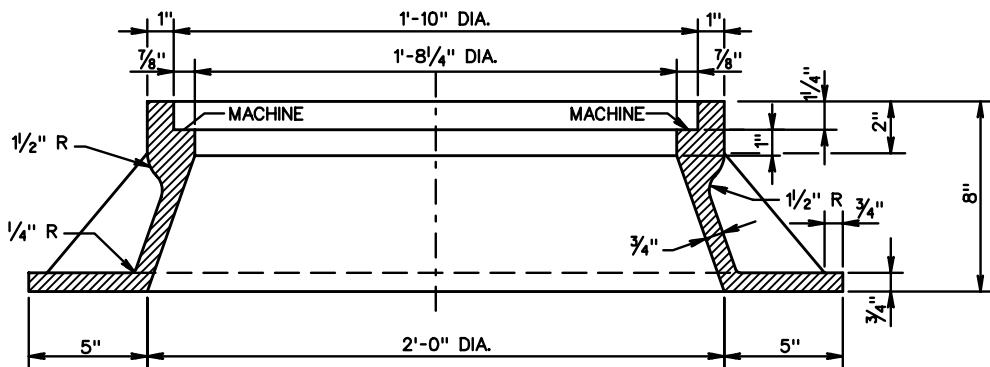


PLAN

APPROXIMATE WEIGHT  
CAST IRON  
FRAME 239 ± 12 LBS.  
COVER 137 ± 7 LBS.



BOTTOM



SECTION B-B



ROAD AND BRIDGE STANDARDS

SHEET 2 OF 5

REVISION DATE

106.02

# STANDARD MANHOLE FRAME AND COVER

VIRGINIA DEPARTMENT OF TRANSPORTATION

SPECIFICATION REFERENCE

224  
302