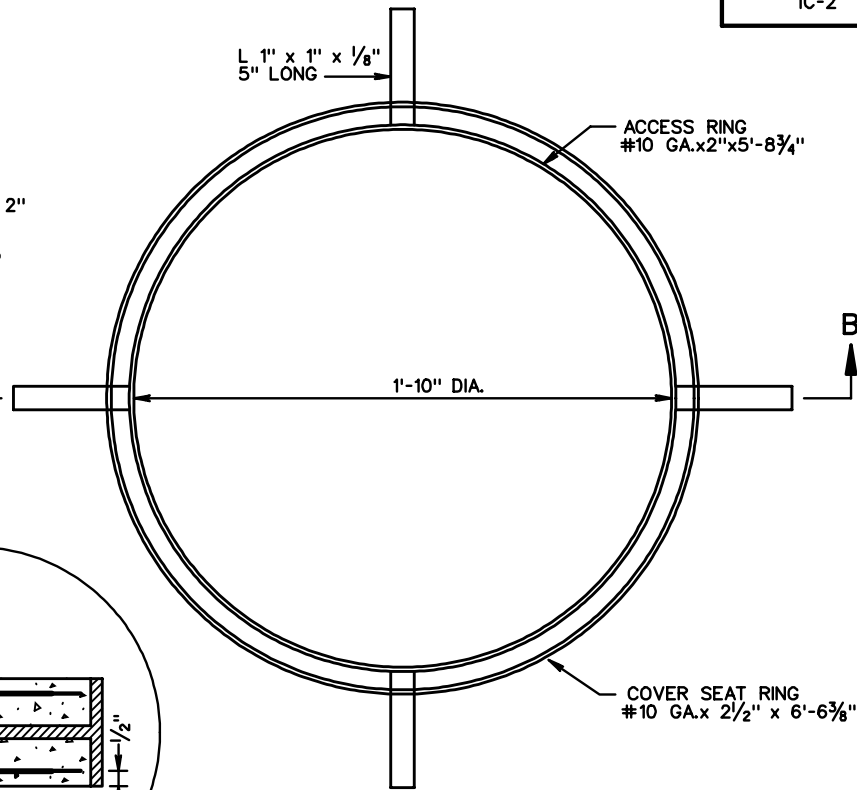
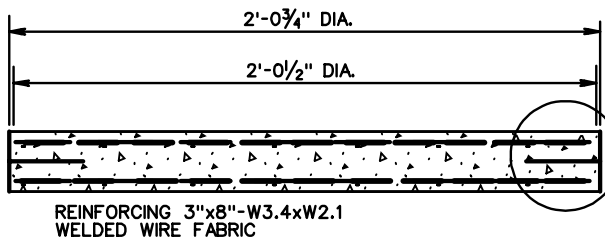


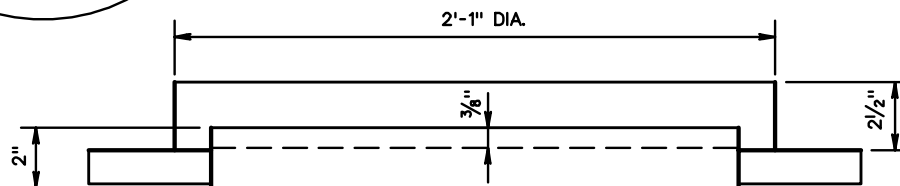
PLAN VIEW COVER



PLAN VIEW FRAME



SECTION A-A



SECTION B-B

NOTES

1. CONCRETE 4000 PSI
2. SUPPLIER MAY FURNISH  $\frac{1}{8}$ " STEEL FOR 10 GA.
3. ALL METAL GALVANIZED TO V.D.O.T. STANDARD AND ASTM A 123-73.
4. DUMP NO WASTE DRAINS TO WATERWAYS LETTERING IS REQUIRED ON ALL IC-2 COVERS.  
LOCATION OF LETTERING MAY VARY BY MANUFACTURER.

SPECIFICATION  
REFERENCE

105  
302

PRECAST INLET AND FRAME COVER

VIRGINIA DEPARTMENT OF TRANSPORTATION

VDOT

ROAD AND BRIDGE STANDARDS

REVISION DATE

SHEET 3 OF 3

105.03