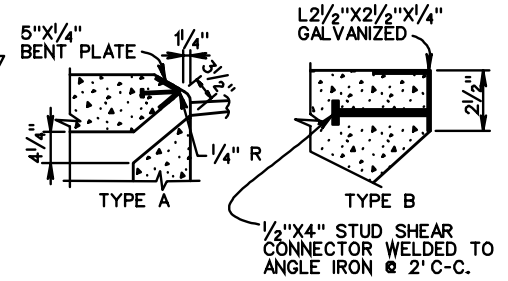


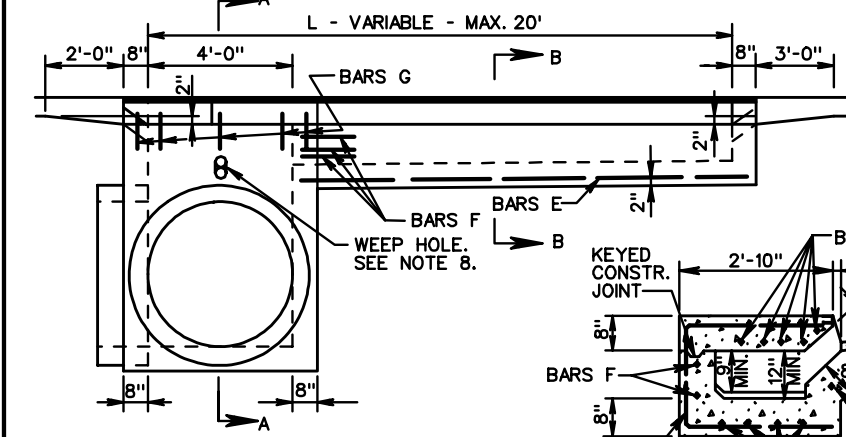
PLAN VIEW

GALVANIZED PLATE TO BE BENT ON AN ANGLE OF 68° 30' & IS TO BE ANCHORED WITH 1/2" X 4" STUD SHEAR CONN. WELDED TO BENT PLATE AT 2' C-C.

TYPE A NOSE DETAIL SHALL BE USED WITH CG-3 AND CG-7 STANDARDS. TYPE B NOSE DETAIL SHALL BE USED WITH CG-2 AND CG-6 STANDARDS.

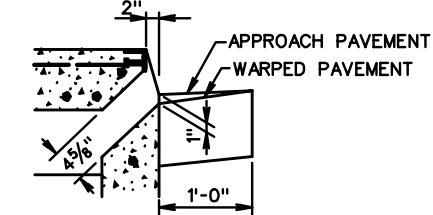


NOSE DETAILS

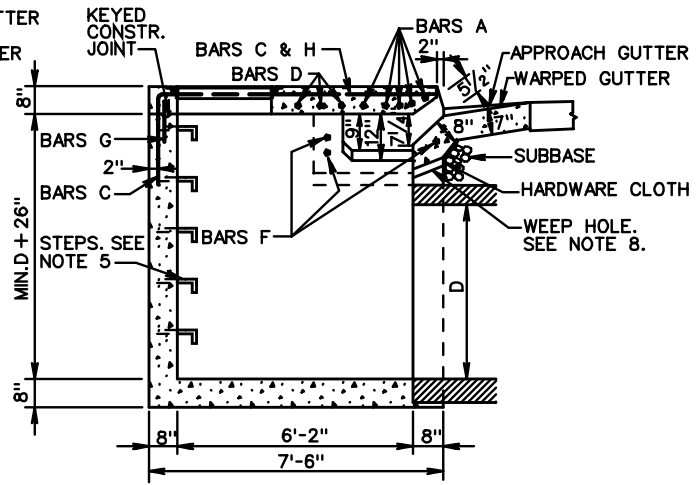


FRONT ELEVATION VIEW
(GUTTER REMOVED)

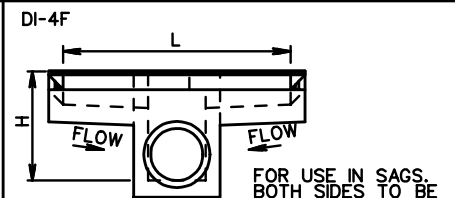
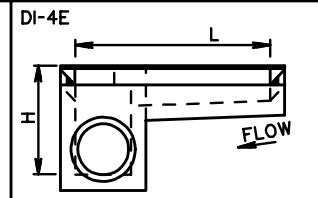
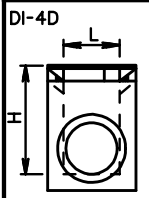
SECTION B-B



DETAIL WHEN USED
ADJACENT TO CURB
WITHOUT GUTTER



SECTION A-A



SPECIFICATION REFERENCE
233 302

STANDARD CURB DROP INLET

36" - 48" PIPE: MAXIMUM DEPTH (H) = 8' (WITH UTILITY SPACE)
 54" - 60" MAX. PIPE: MAX. (H) = 8' (WITHOUT UTILITY SPACE)

VIRGINIA DEPARTMENT OF TRANSPORTATION

VDOT	
ROAD AND BRIDGE STANDARDS	
REVISION DATE	SHEET 1 OF 2
	104.18