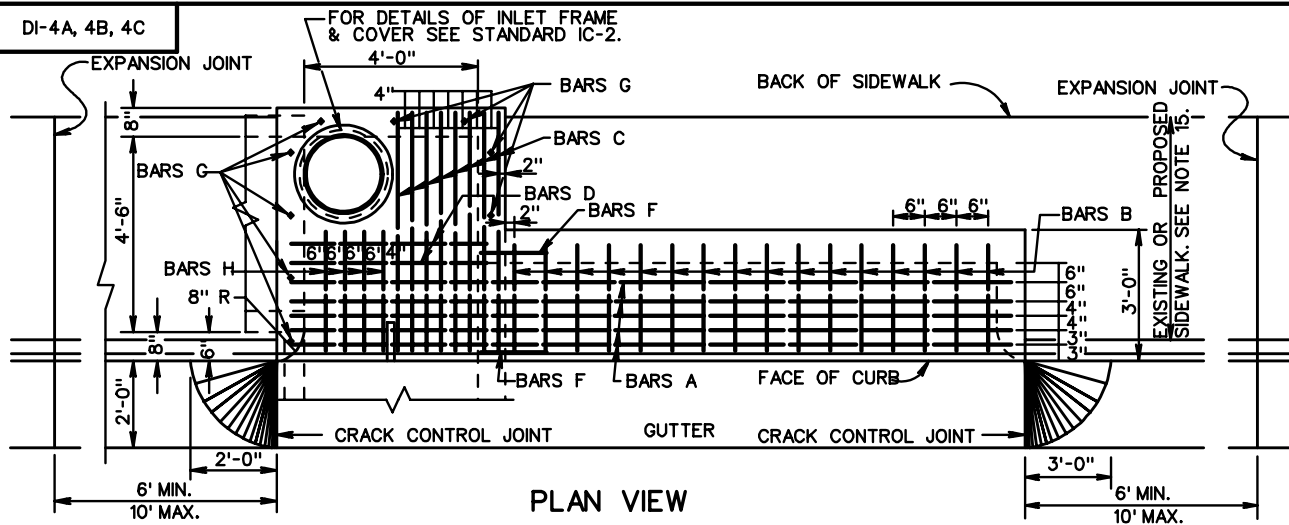
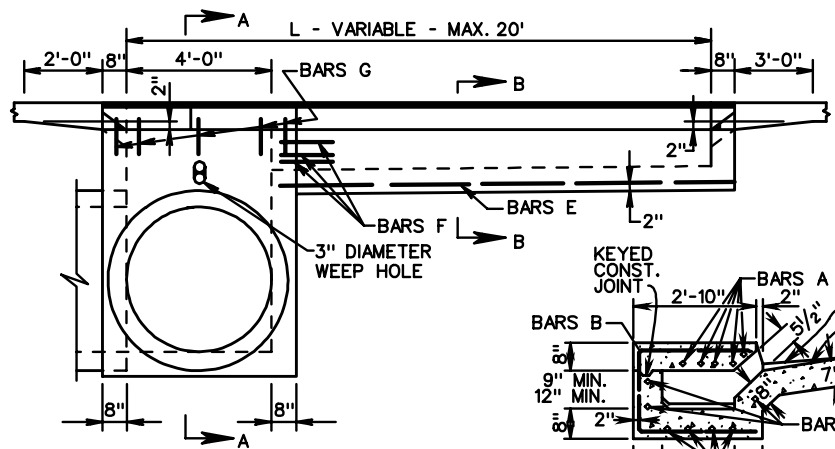


DI-4A, 4B, 4C



PLAN VIEW

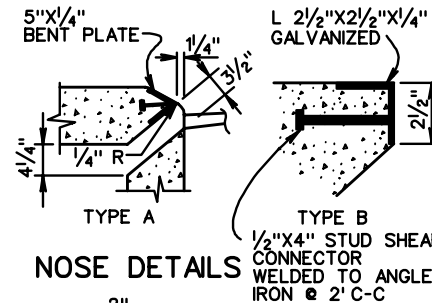


FRONT ELEVATION VIEW
(GUTTER REMOVED)

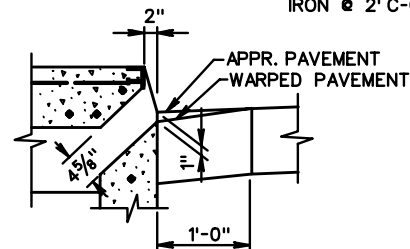
SECTION B-B

GALVANIZED PLATE TO BE BENT ON AN ANGLE OF 68° 30' AND IS TO BE ANCHORED WITH 1/2" X 4" STUD SHEAR CONNECTORS WELDED TO BENT PLATE AT 2'-0" C-C.

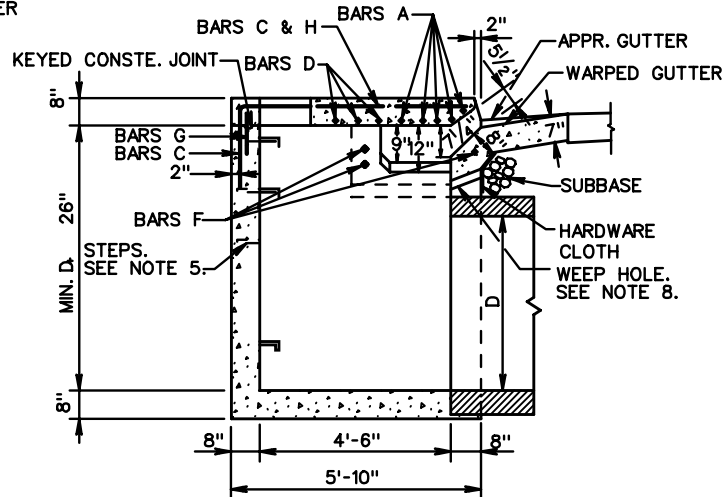
TYPE A NOSE DETAIL SHALL BE USED WITH CG-3 AND CG-7 STANDARDS. TYPE B NOSE DETAIL SHALL BE USED WITH CG-2 AND CG-6 STANDARDS.



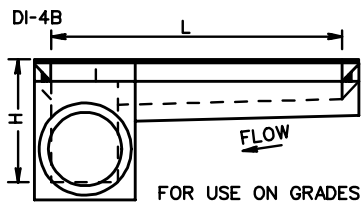
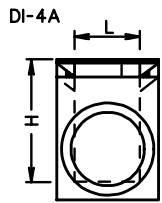
NOSE DETAILS



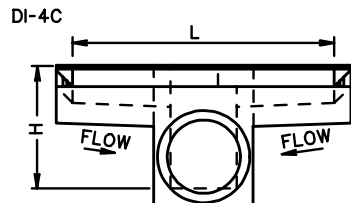
DETAIL WHEN USED
ADJACENT TO CURB
WITHOUT GUTTER



SECTION A-A



FOR USE ON GRADES



FOR USE IN SAGS
BOTH SIDES TO BE SYMMETRICAL



ROAD AND BRIDGE STANDARDS

SHEET 1 OF 2

REVISION DATE

104.15

STANDARD CURB DROP INLET

36" - 48" PIPE: MAXIMUM DEPTH (H) - 8'

VIRGINIA DEPARTMENT OF TRANSPORTATION

SPECIFICATION
REFERENCE

233
302