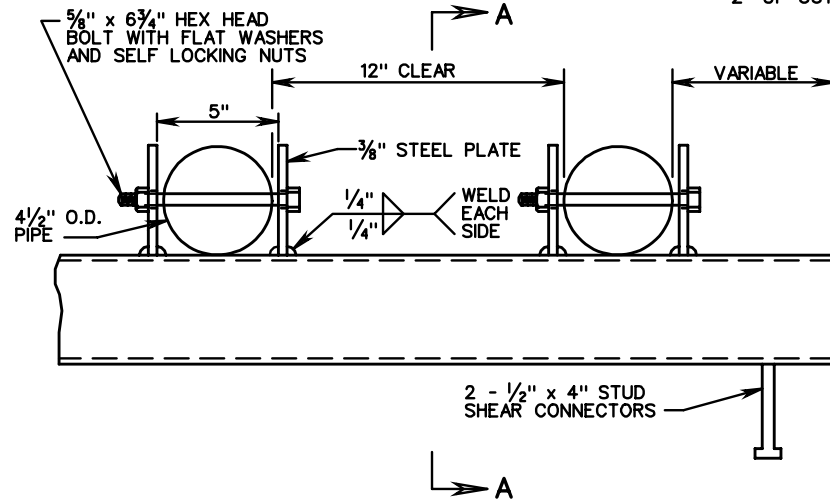
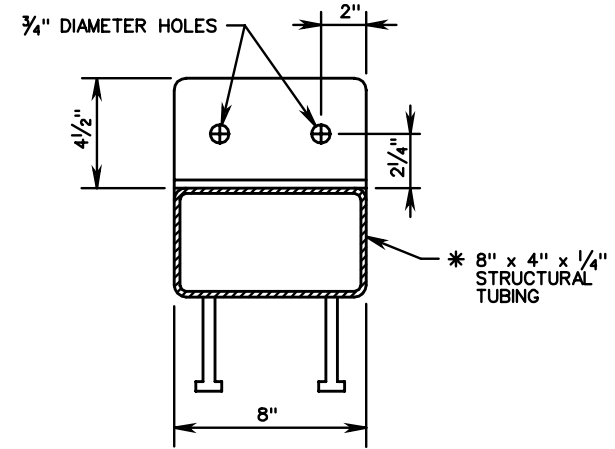


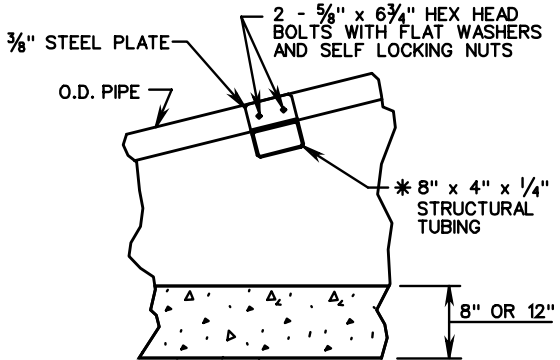
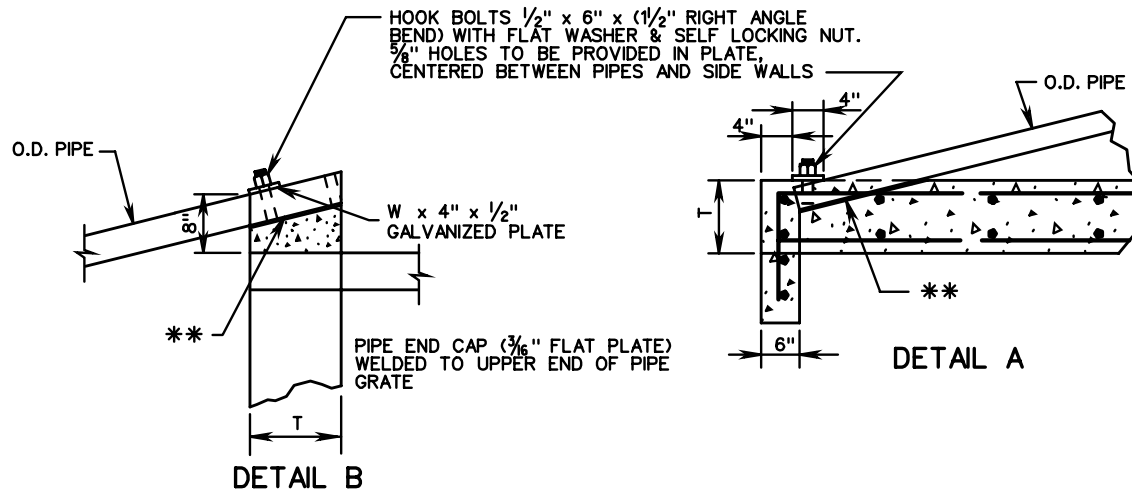
\* STRUCTURAL TUBING TO BE EXTENDED TO WITHIN 2" OF OUTSIDE FACE OF SIDEWALL



CENTER SUPPORT  
(ELEVATION)



SECTION A-A



CENTER SUPPORT

\*\* NOTCHES FOR PIPE TO BE FORMED IN CONCRETE SO THAT PIPE WILL FIT SNUG BUT CAN BE REMOVED.

SPECIFICATION REFERENCE	<h2>PIPE ENDWALL WITH LOAD-CARRYING GRATE</h2> <p>12" - 60" CIRCULAR PIPES</p> <p>VIRGINIA DEPARTMENT OF TRANSPORTATION</p>	<p>ROAD AND BRIDGE STANDARDS</p>	
		105 233 302	REVISION DATE
		101.27	