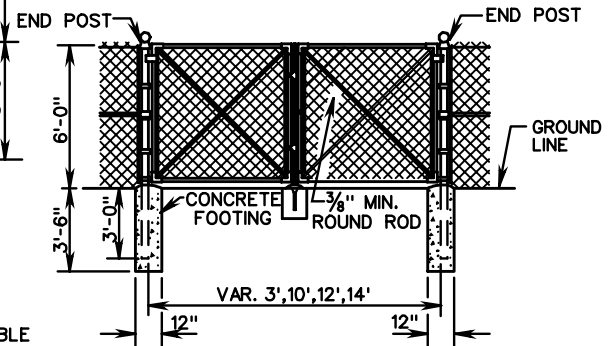


**SINGLE SWING GATE**

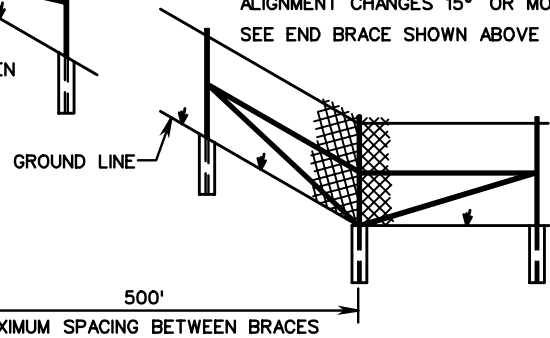
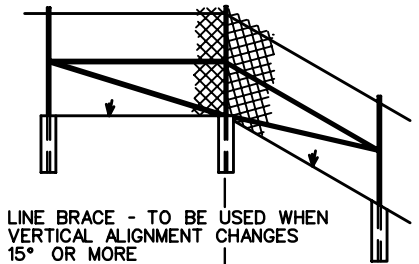


**DOUBLE SWING GATE**

(TO BE USED WHERE SWINGING CLEARANCE IS LIMITED)

**NOTES:**  
 SEE GENERAL NOTES-FENCING FOR ADDITIONAL DETAILS AND INSTRUCTIONS  
 A MOISTURE-EXCLUDING CAP IS REQUIRED ON TUBULAR POSTS.  
 MATERIAL FOR CAP SHALL CONFORM TO THE ALLOWABLE TYPES FOR OTHER LISTED FILLINGS.  
 CORNER BRACE - TO BE USED WHEN HORIZONTAL ALIGNMENT CHANGES 15° OR MORE.  
 SEE END BRACE SHOWN ABOVE FOR BRACE DETAILS.

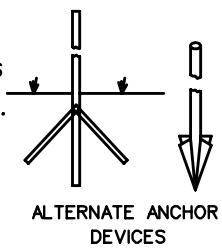
POST TYPE	SCHEDULE 40, NOMINAL PIPE SIZES
LINE POST	2.00"
END/CORNER POST	2.50"
GATE POST (SINGLE SWING)	3.50"
GATE POST (DOUBLE SWING)	2.50"
BRACE	1.25"
GATE FRAME	1.50"



LINE BRACE - TO BE USED WHEN VERTICAL ALIGNMENT CHANGES 15° OR MORE

500'  
 MAXIMUM SPACING BETWEEN BRACES

ALTERNATE ANCHOR DEVICES MAY BE USED IN LIEU OF SETTING POST IN CONCRETE. DEVICES SHOWN ARE REPRESENTATIONAL ONLY. SEE GENERAL NOTES.



FITTINGS SHOWN ARE SUGGESTED ONLY. SIMILAR DESIGNS MEETING THE APPROVAL OF THE ENGINEER MAY BE USED.

