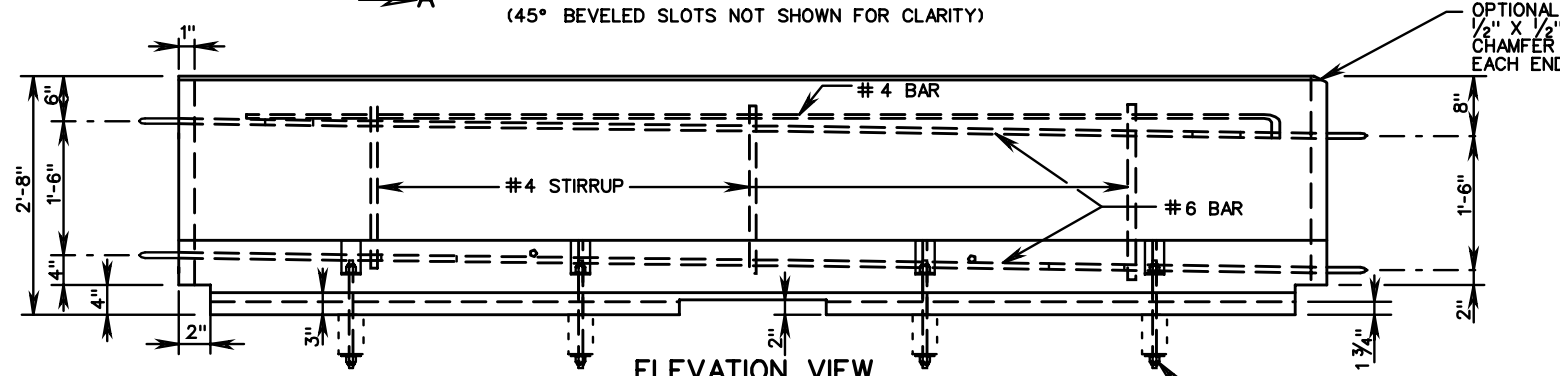
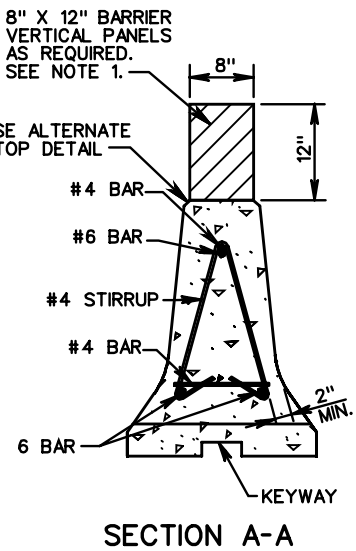


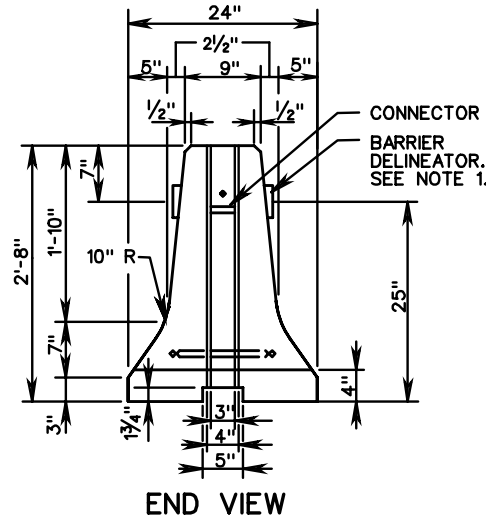
PLAN VIEW  
(45° BEVELED SLOTS NOT SHOWN FOR CLARITY)



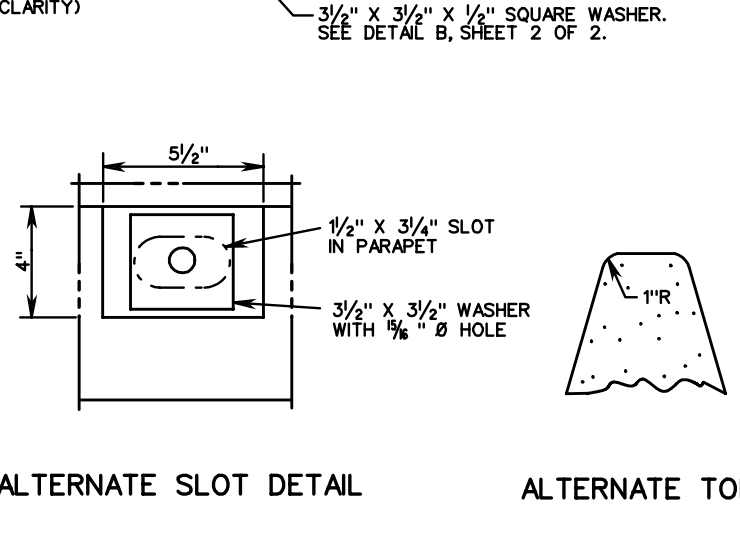
ELEVATION VIEW  
(45° BEVELED SLOTS NOT SHOWN FOR CLARITY)



SECTION A-A



END VIEW



ALTERNATE SLOT DETAIL

ALTERNATE TOP

3/2" X 3/2" X 1/2" SQUARE WASHER. SEE DETAIL B, SHEET 2 OF 2.

8" X 12" BARRIER VERTICAL PANELS AS REQUIRED. SEE NOTE 1.

SEE ALTERNATE TOP DETAIL

CONNECTOR BARRIER DELINEATOR. SEE NOTE 1.

1/2" X 3/4" SLOT IN PARAPET

3/2" X 3/2" WASHER WITH 15/16" Ø HOLE

**TRAFFIC BARRIER SERVICE CONCRETE PARAPET (DOUBLE FACE)**  
(FOR TEMPORARY INSTALLATION ON BRIDGE DECK EXTERIOR)  
VIRGINIA DEPARTMENT OF TRANSPORTATION

SPECIFICATION REFERENCE

105  
512



ROAD AND BRIDGE STANDARDS

SHEET 1 OF 3

REVISION DATE

502.13