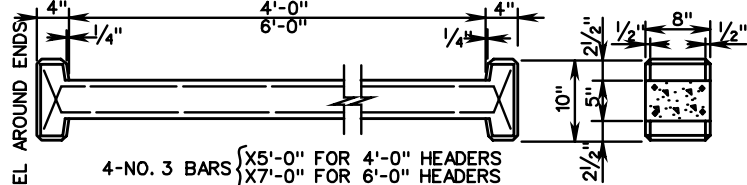


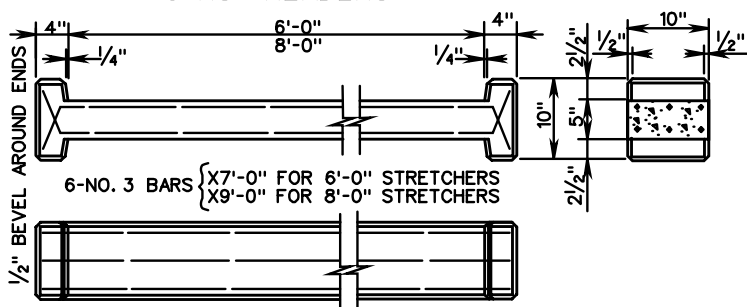
1/2" BEVEL ON EDGES 4-NO. 3 BARS FOR 6"X6" & 6"X8" STRETCHERS 6-NO. 3 BARS FOR 6"X10" STRETCHERS

STRETCHERS



4-NO. 3 BARS { X5'-0" FOR 4'-0" HEADERS X7'-0" FOR 6'-0" HEADERS

5"X8" HEADERS



6-NO. 3 BARS { X7'-0" FOR 6'-0" STRETCHERS X9'-0" FOR 8'-0" STRETCHERS

5"X10" HEADERS

UNIT	WEIGHT	CU. FT.
5"X8"X4'-0" HEADER	235#	1.48
5"X8"X6'-0" HEADER	325#	2.04
5"X10"X6'-0" HEADER	405#	2.55
5"X10"X8'-0" HEADER	515#	3.24
6"X6"X6'-0" STRETCHER	240#	1.50
6"X8"X6'-0" HEADER	320#	2.00
6"X10"X6'-0" HEADER	400#	2.50
5 3/4"X10"X10" BLOCK	50#	0.33

NOTES:
ALL REINFORCING TO BE NO. 3 BARS PLACED 1" CLEAR FROM SURFACE OF CONCRETE.

BARS TO BE HELD IN POSITION BY CHAIRS HAVING NON-CORROSIVE TIPS
CLASS A-5 CONCRETE TO BE USED EXCEPT MAXIMUM SIZE AGGREGATE TO BE NO. 7.

HEIGHT OF WALL	UNITS REQUIRED FOR TYPICAL WALL 96' LONG						WALL SECTION	
	HEADERS			STRETCHERS				BL'K'S
	5"X8" X4'-0"	5"X8" X6'-0"	5"X10" X6'-0"	5"X10" X8'-0"	6"X6" X6'-0"	6"X8" X6'-0"		
2'-4"	34				32	48		
3'-3"	51				64	48		
4'-2"	68				96	48		
5'-1"	85				128	48		
6'-0"	102				160	48		
6'-0"		102			224	16		
6'-11"		119			256	16		
7'-10"		136			288	16		
8'-9"		153			320	16		
9'-8"		170			288	80		
10'-7"		187			288	112		
11'-6"		204			288	144		
12'-5"			204	17	192	272	17	
13'-4"			204	34	192	304	34	
14'-3"			204	51	192	336	51	
15'-2"			204	68	192	368	68	
16'-1"		68	289		192	336	144	
17'-0"		85	306		192	320	208	
17'-11"		102	323		192	320	256	
18'-10"		119	340		192	320	304	
19'-9"		136	357		192	320	352	
20'-8"		153	374		192	320	400	
21'-7"		170	391		192	320	448	
22'-6"		187	408		192	320	496	
23'-5"		204	425		192	320	544	

CRIBBING IS TO BE PLACED ON A FOUNDATION OF FIRM BEARING MATERIAL MEETING THE APPROVAL OF THE ENGINEER.

THIS FOUNDATION IS TO BE AT LEAST 3' BELOW THE SURFACE OF THE GROUND, BEYOND ALL DANGER OF FROST, UNLESS ON SOLID ROCK.

FOR DETAILS NOT SHOWN ON THIS SHEET, SEE SHEET 1 OF 2.

BLOCKS SHALL BE SET IN MORTAR.

SPECIFICATION REFERENCE

506

STANDARD REINFORCED CONCRETE CRIB WALL

VIRGINIA DEPARTMENT OF TRANSPORTATION

VDOT

ROAD AND BRIDGE STANDARDS

REVISION DATE

SHEET 2 OF 2

402.02