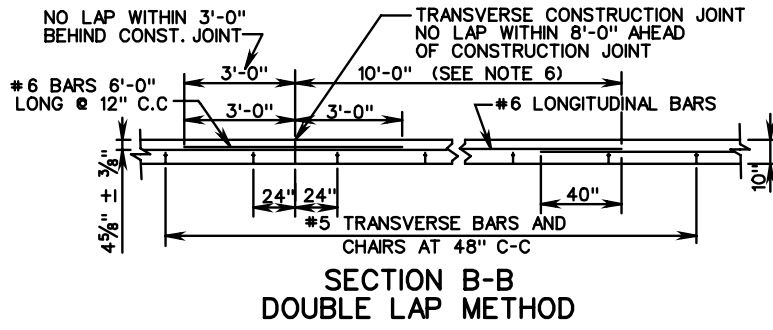
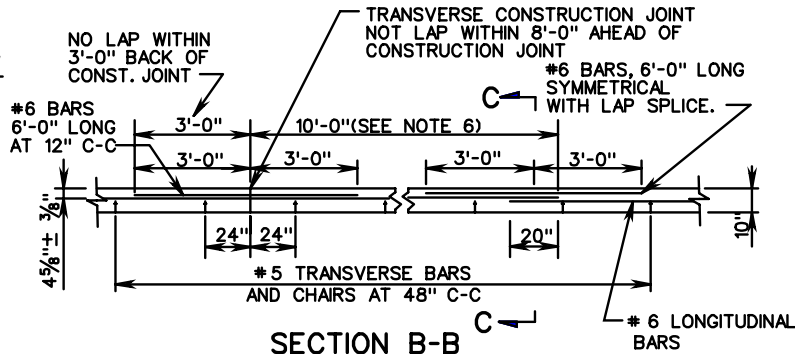


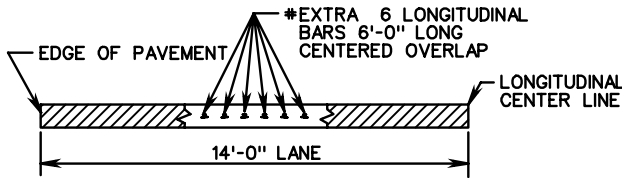
PLAN VIEW CONTINUOUSLY REINFORCED CONCRETE PAVEMENT



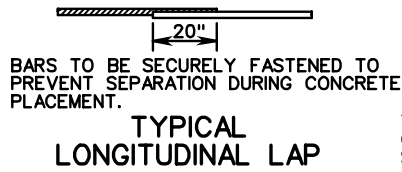
SECTION B-B DOUBLE LAP METHOD



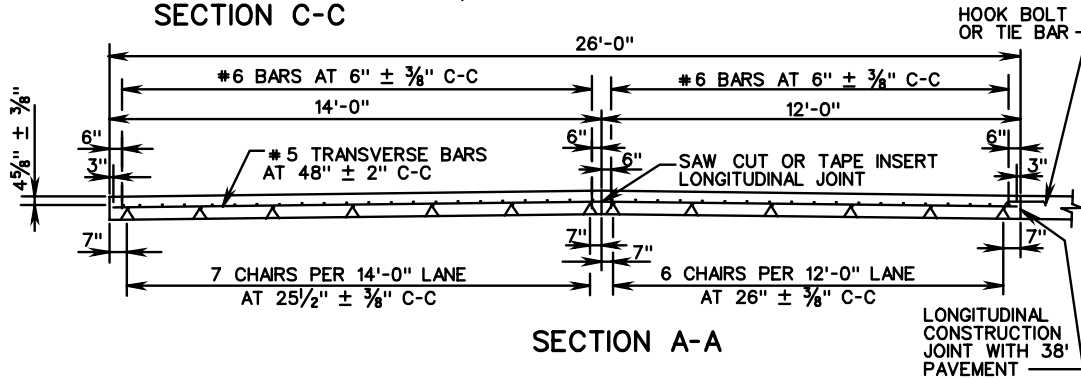
SECTION B-B EXTRA BAR METHOD



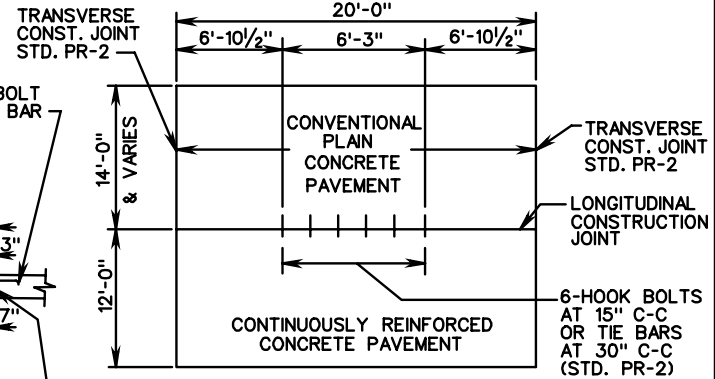
SECTION C-C



TYPICAL LONGITUDINAL LAP



SECTION A-A



PLAN-RAMP & MAIN LINE CONNECTION

SEE SHEET 3 OF 3 FOR NOTES.



ROAD AND BRIDGE STANDARDS

SHEET 1 OF 3

REVISION DATE

301.16

10" THICK CONTINUOUSLY REINFORCED CONC. PAVE. (14 FOOT TRAVEL LANE)

VIRGINIA DEPARTMENT OF TRANSPORTATION

SPECIFICATION REFERENCE

316