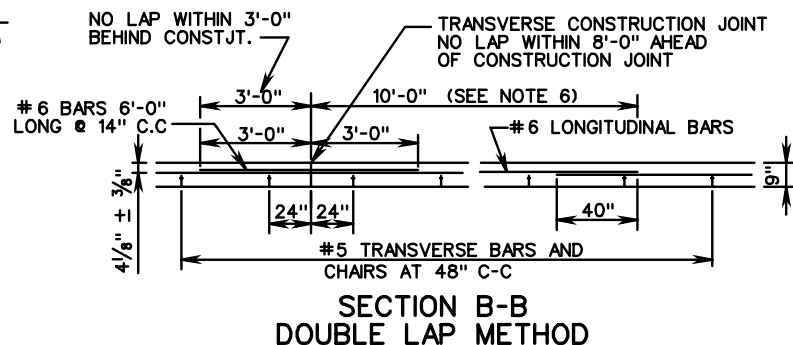
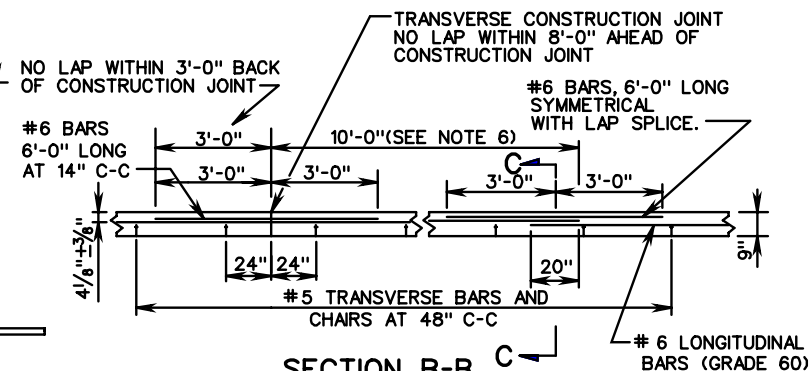


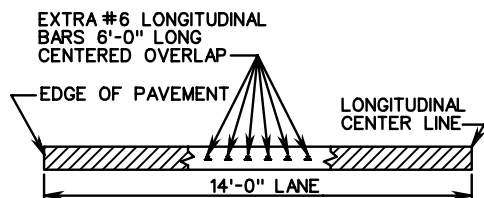
PLAN VIEW
CONTINUOUSLY REINFORCED CONCRETE PAVEMENT



SECTION B-B
DOUBLE LAP METHOD



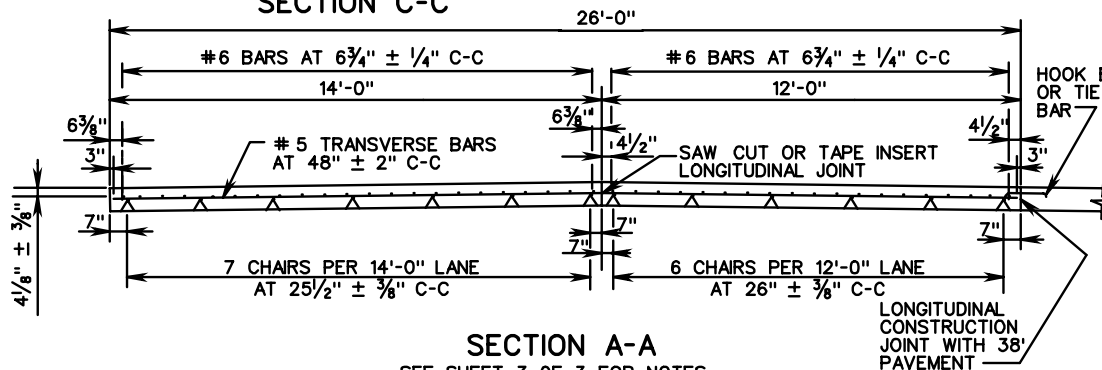
SECTION B-B C
EXTRA BAR METHOD



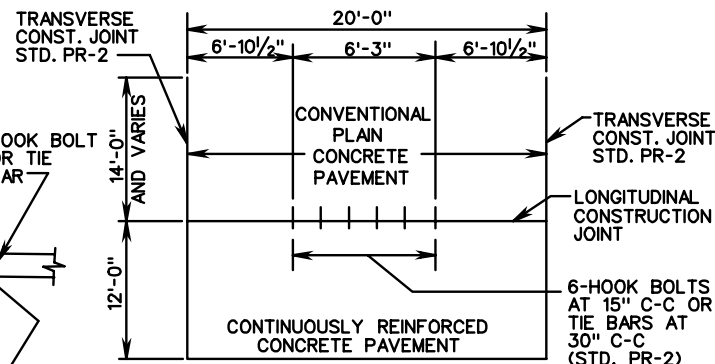
SECTION C-C

BARS TO BE SECURELY FASTENED TO PREVENT SEPARATION DURING CONCRETE PLACEMENT.

TYPICAL
LONGITUDINAL LAP



SECTION A-A
SEE SHEET 3 OF 3 FOR NOTES.



PLAN-RAMP & MAIN LINE CONNECTION

SPECIFICATION REFERENCE

316

9" THICK CONTINUOUSLY REINFORCED CONC. PAVE.
(14 FOOT TRAVEL LANE)

VIRGINIA DEPARTMENT OF TRANSPORTATION

VDOT

ROAD AND BRIDGE STANDARDS

REVISION DATE

SHEET 1 OF 3

301.13