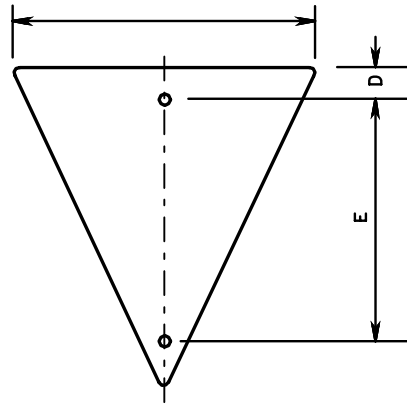
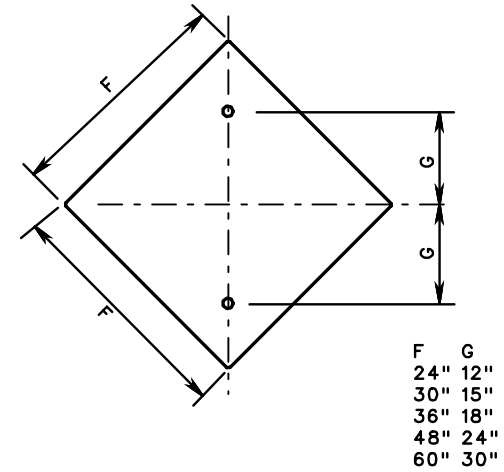


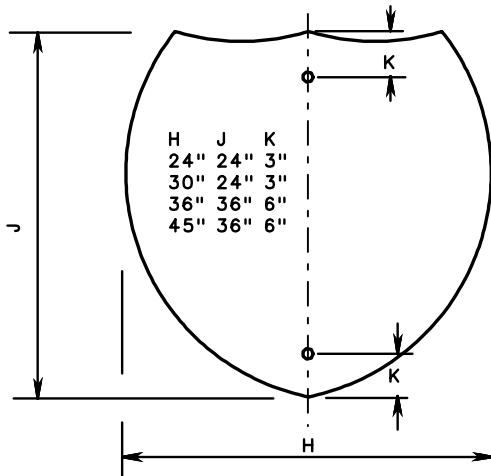
OCTAGON



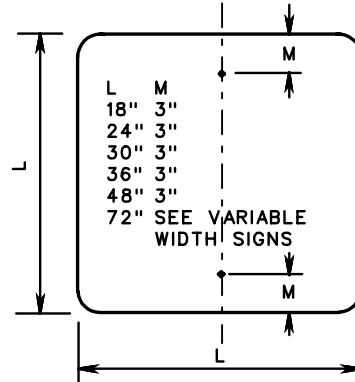
EQUILATERAL TRIANGLE



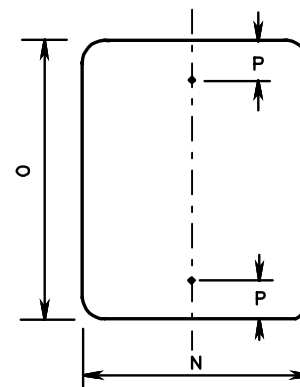
DIAMOND



INTERSTATE SHIELD



SQUARE



VERTICAL RECTANGLE

NOTE:

ALL HOLES SHALL BE 7/16" IN DIAMETER.



ROAD AND BRIDGE STANDARDS

PUNCHING REQUIREMENTS FOR SIGN PANELS

SPECIFICATION REFERENCE

SHEET 1 OF 2

REVISION DATE

SINGLE POST INSTALLATIONS

701

1326.10

VIRGINIA DEPARTMENT OF TRANSPORTATION