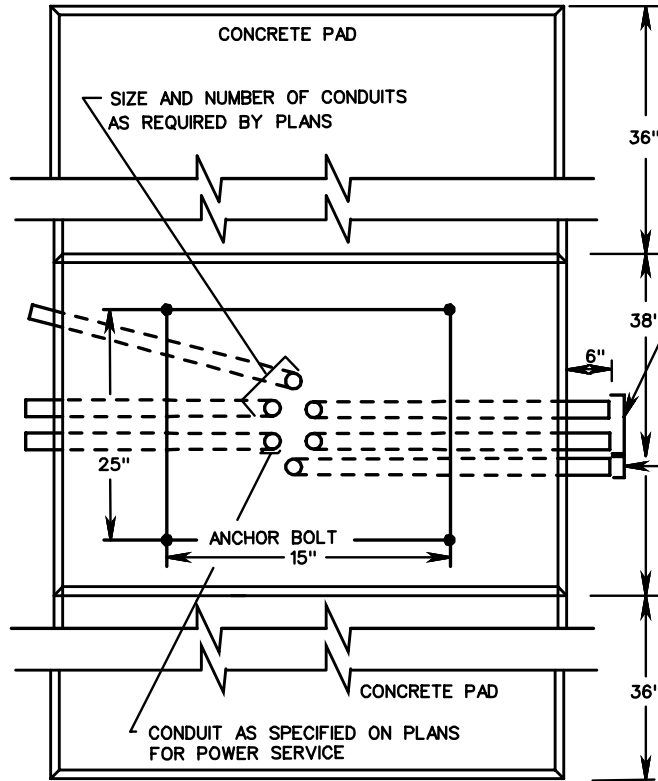
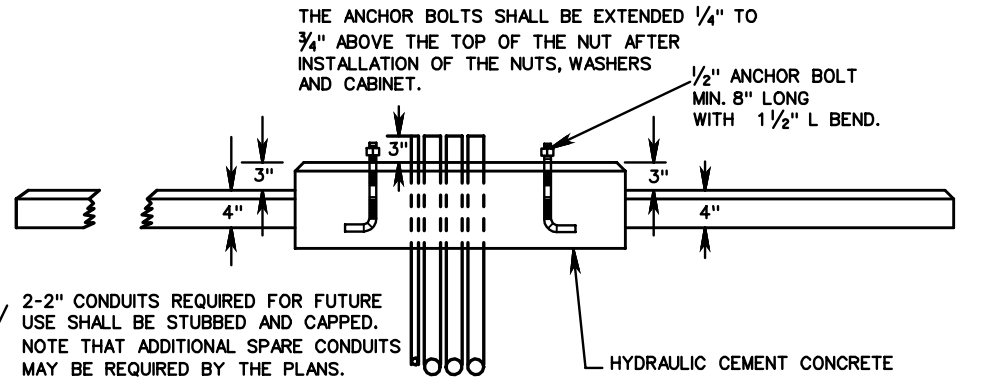


TOP VIEW



SIDE VIEW



2-2" CONDUITS REQUIRED FOR FUTURE USE SHALL BE STUBBED AND CAPPED. NOTE THAT ADDITIONAL SPARE CONDUITS MAY BE REQUIRED BY THE PLANS.  
 1-1" CONDUIT REQUIRED FOR GROUNDING CONDUCTOR.

CONCRETE PAD SHALL BE LOCATED IN FRONT OF CABINET DOORS

NOTES:

IN ADDITION TO ELECTRICAL SERVICE GROUNDING ELECTRODE SYSTEM, EACH STRUCTURE SHALL UTILIZE ITS OWN GROUNDING ELECTRODE (SUPPLEMENTARY).

ALL EXPOSED CONCRETE SURFACE EDGES SHALL BE CHAMFERED 3/4". ANCHOR BOLTS, BOLT CIRCLE TEMPLATE AND METAL RISER SHALL BE FURNISHED WITH CABINET.

CABINET SHALL BE CENTERED ON FOUNDATION WITH RISER ATTACHED TO FOUNDATION & CABINET ON METAL RISER.

CONDUITS ENTERING THE FOUNDATION SHALL BE ARRANGED IN A CIRCULAR PATTERN. THE CONTRACTOR SHALL SUBMIT A CONDUIT ARRANGEMENT PLAN FOR APPROVAL PRIOR TO PLACEMENT.

EACH FOUNDATION SHALL BE PERMANENTLY MARKED TO INDICATE ALL SIDES FROM WHICH CONDUIT PASS. THIS MARK SHALL BE MADE WITH A TROWEL WHEN FINISHING THE CONCRETE AND SHALL BE 1/4" DEEP AND 4" TO 6" LONG. LOCATIONS OF EMPTY CONDUITS SHALL HAVE AN ADDITIONAL 2" LONG MARK MADE PERPENDICULAR TO AND CENTERED ON THIS MARKING.

THE CONTROLLER CABINET AT THE INSIDE AND OUTSIDE FOUNDATION JOINTS SHALL BE SEALED WITH A SILICONE SEALANT.

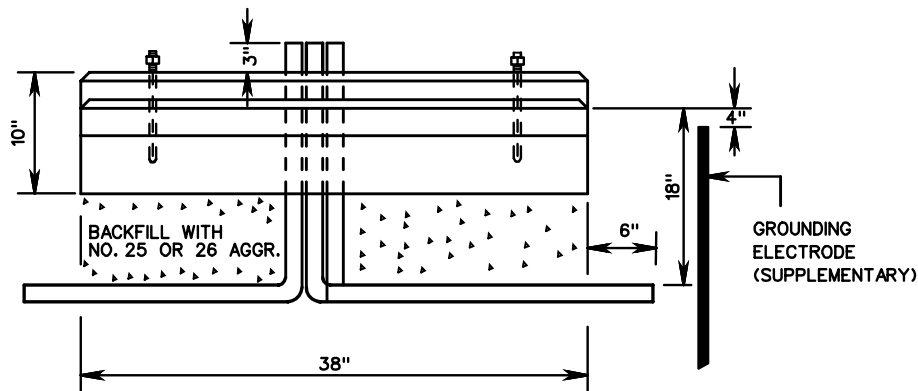
BELL ENDS SHALL BE INSTALLED ON EACH END OF PVC CONDUITS. EMPTY CONDUITS SHALL BE PLUGGED TO PREVENT MOISTURE AND RODENT ENTRY. GROUNDING BUSHINGS SHALL BE ON EACH END OF METAL CONDUITS.

TWO- 1/2" DIAMETER WEEPHOLES SHALL BE PROVIDED IN THE FOUNDATION AND LOCATED 2" INSIDE OF THE BACK OR SIDE EDGES OF THE CONTROLLER CABINET. WEEPHOLES SHALL BE SLOPED TO ALLOW OUTLET TO BE 3" BELOW TOP OF FOUNDATION. TWO INCHES OF THE OUTLET END SHALL BE FIBER FILLED.

GROUNDING ELECTRODE SHALL BE COVERED 4" - 18" FROM FINISHED GRADE

OPEN ENDS OF CONDUITS WITH CONDUCTORS INSTALLED SHALL BE SEALED WITH AN APPROVED SOFT, PLIABLE, AND EASILY REMOVABLE WATERPROOF SEALANT. THE SEALANT SHALL NOT HAVE A DELETERIOUS EFFECT ON CABLE COVERINGS.

FRONT VIEW



SPECIFICATION REFERENCE

700

CONTROLLER CABINET FOUNDATION AND CABINET PLACEMENT DETAILS

VIRGINIA DEPARTMENT OF TRANSPORTATION

VDOT

ROAD AND BRIDGE STANDARDS

REVISION DATE

SHEET 1 OF 1

1301.30