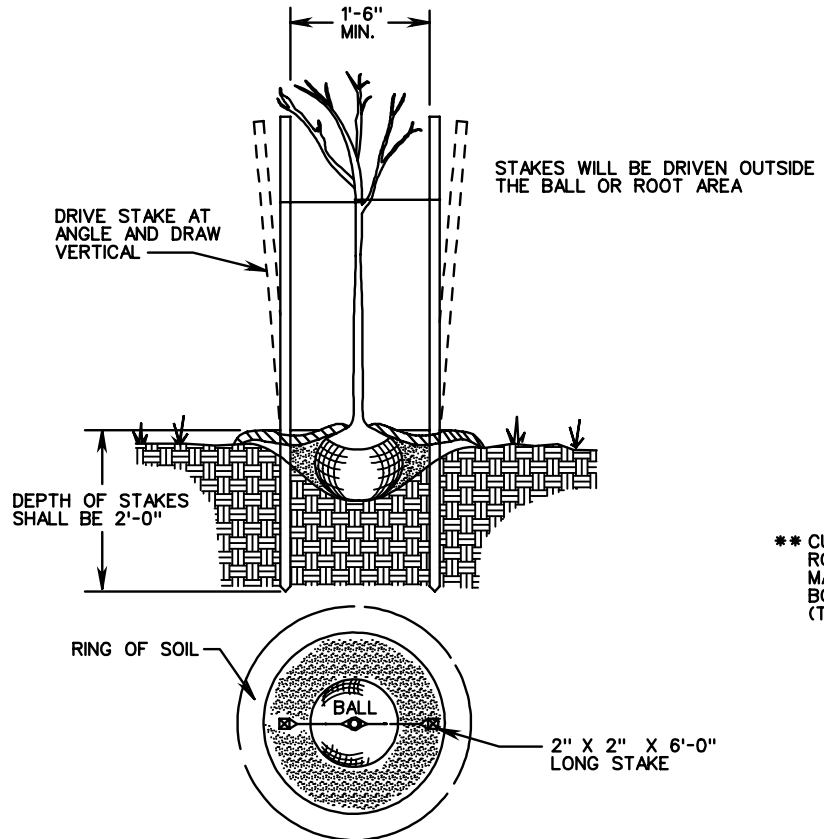
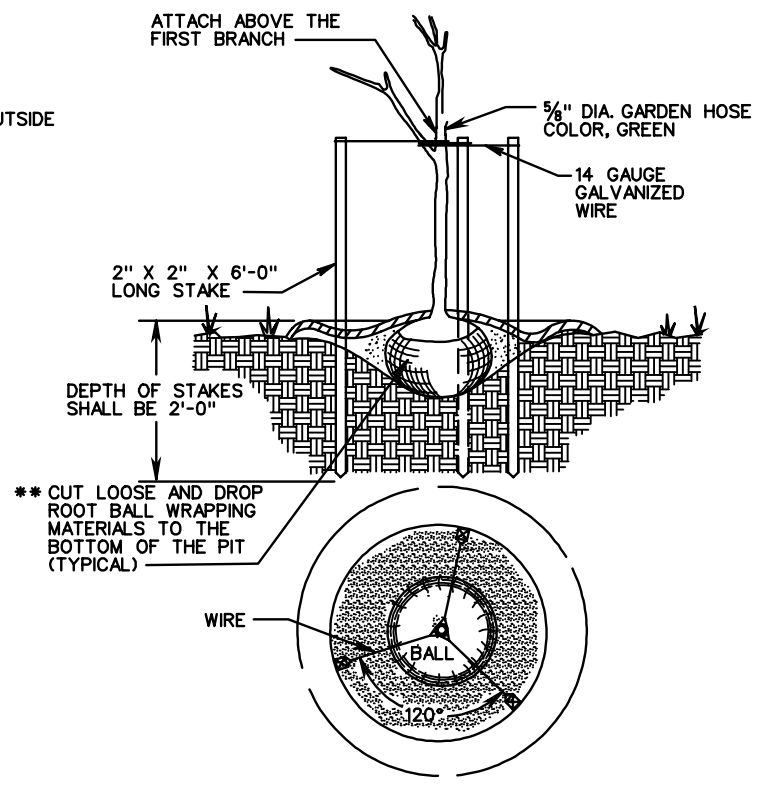


STAKING, GUYING



5
L-5 **DOUBLE STAKING & STAKE PLACEMENT**

DECIDUOUS TREES LESS THAN 2" IN CALIPER
 EVERGREEN TREES LESS THAN 4 FEET IN HEIGHT
 SHRUBS 4 FEET OR MORE IN HEIGHT.



6
L-5 **TRIPLE - GUYING**

DECIDUOUS TREES 2" IN CALIPER OR GREATER
 EVERGREEN TREES 4 FEET IN HEIGHT OR GREATER

GENERAL NOTES

- ALL DECIDUOUS TREES OVER 4 FT. IN HEIGHT AND ALL EVERGREEN TREES OVER 4 FT. IN HEIGHT OR TALLER SHALL BE STAKED AND GUYED WITH 3 STAKES AS SHOWN.
- MULTIPLE STEMMED DECIDUOUS TREES 4 FT. IN HEIGHT SHALL BE STAKED WITH 3 STAKES IN SUCH A MANNER AS TO STABILIZE 3 MAINSTEMS.
- THE WOOD STAKES SHALL BE 2"X2"X6'-0" LONG DRESSED HARDWOOD AND DECAY RESISTANT.

THE WIRE TIES SHALL BE 14 GAUGE GALVANIZED WIRE, AND BE PROVIDED WITH A ONE FOOT PIECE OF GREEN RUBBER HOSE PLACED TO PREVENT INJURY TO THE BARK. THERE SHOULD BE A 1" - 3" SWAY IN THE TREE (THE WIRES SHOULD NOT BE PULLED TIGHT) FOR BEST ESTABLISHMENT. OTHER ANCHORING METHODS AND MATERIALS MAY BE APPROVED FOR USE BY THE ENGINEER.

** REMOVAL OF BINDING MATERIALS FROM TRUNKS AND STEMS, AND METAL CAGES FROM ROOT BALLS SHALL CONFORM TO THE CURRENT ROAD & BRIDGE SPECS.

SPECIFICATION REFERENCE
605 244

PLANTING DETAILS

VIRGINIA DEPARTMENT OF TRANSPORTATION

VDOT	
ROAD AND BRIDGE STANDARDS	
REVISION DATE	SHEET 1 OF 1
	1201.05