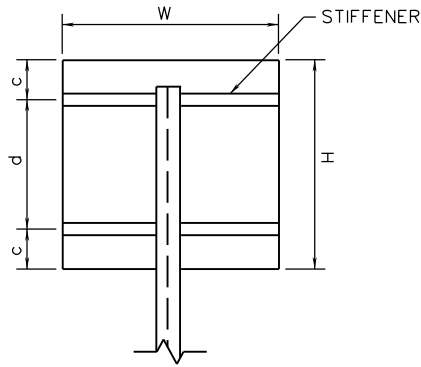
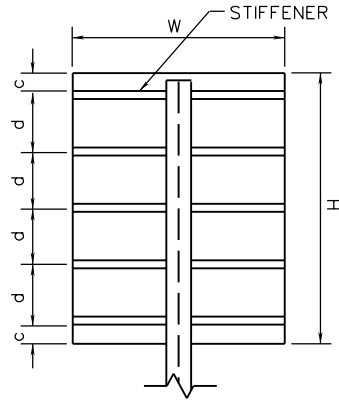


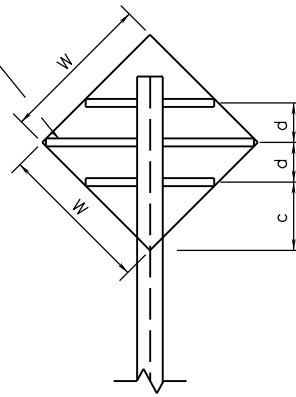
TYPES VA-B, VA-C, VA-D, VA-L AND VA-M



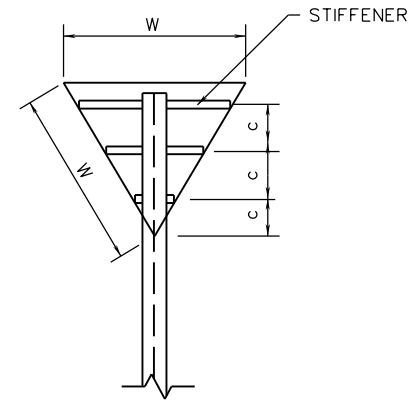
TYPES VA-E, VA-N AND VA-O



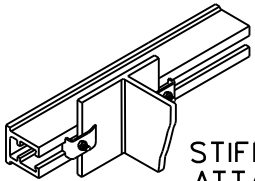
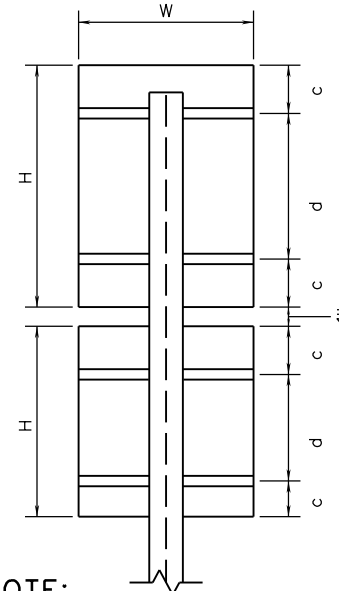
TYPES VA-F



TYPES VA-G

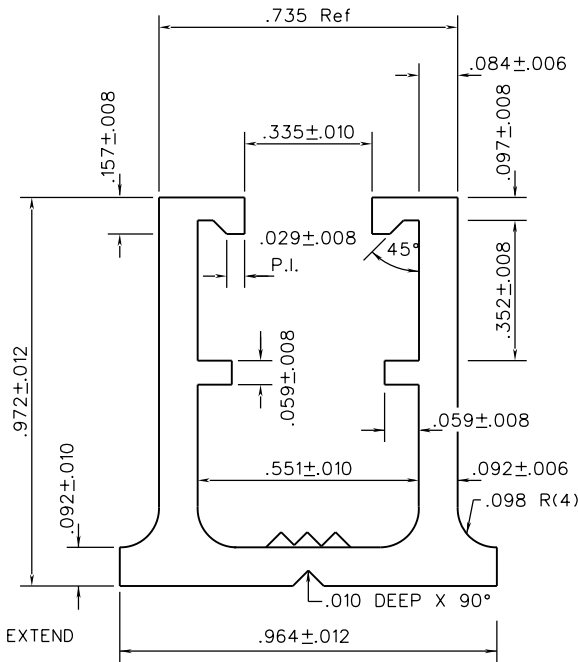


TYPES VA-K



STIFFENER TO POST ATTACHMENT DETAIL

MEDIUM STIFFENER DETAIL



NOTE:

RIVETS SHALL BE USED FOR SECURING THE STIFFENERS TO THE SIGN UNLESS OTHERWISE SPECIFIED OR APPROVED, AND SHALL BE 3/16" MINIMUM DIAMETER BY 1/2" LONG ALUMINUM AND CAPABLE OF WITHSTANDING A MINIMUM SHEAR FORCE OF 460LBS. RIVET SPACING FOR ATTACHING THE STIFFENERS TO THE SIGN PANEL SHALL BE 6" MAXIMUM BEGINNING 1 1/2" FROM THE ENDS OF THE SIGN PANEL.

STRUCTURE TYPE	W	H	c	d	STIFFENERS	
					NO.	SIZE
VA-B	4'	4'	6 1/2"	2'-11"	2	MEDIUM
VA-C	4'	5'	12 1/2"	2'-11"	2	MEDIUM
VA-D	5'	3'	7"	1'-10"	2	MEDIUM
VA-E	6'	5'	0"	1'-3"	5	MEDIUM
VA-F	4'	—	8"	2'-2"	3	MEDIUM
VA-G	5'	—	1'-4"	—	3	MEDIUM
VA-K	4'	5'	12 1/2"	2'-11"	2	MEDIUM
	4'	4'	6 1/2"	2'-11"	2	MEDIUM
VA-L	6'	6'	6"	1'-3"	5	MEDIUM
VA-M	5'	5'	8"	1'-10"	3	MEDIUM
VA-N	7'	7'	5 1/4"	10 1/2"	8	MEDIUM
VA-O	13'	5'	1 1/2"	3"	20	MEDIUM

SEE STANDARD SPD-4 FOR POST CLAMP AND BOLT DETAILS.

UNLESS OTHERWISE NOTED THE TOP OF THE SIGN PANEL SHALL NOT EXTEND ABOVE THE SIGN POST NO GREATER THAN THE DISTANCE OF 1/2" c.

**VDOT**  
ROAD AND BRIDGE STANDARDS

SHEET 1 OF 1  
1325.60

REVISION DATE  
01/15

A COPY OF THE ORIGINAL SEALED AND SIGNED DRAWING IS ON FILE IN THE CENTRAL OFFICE.

**SIGN PANEL DESIGN**

VIRGINIA DEPARTMENT OF TRANSPORTATION

SPECIFICATION REFERENCE

701