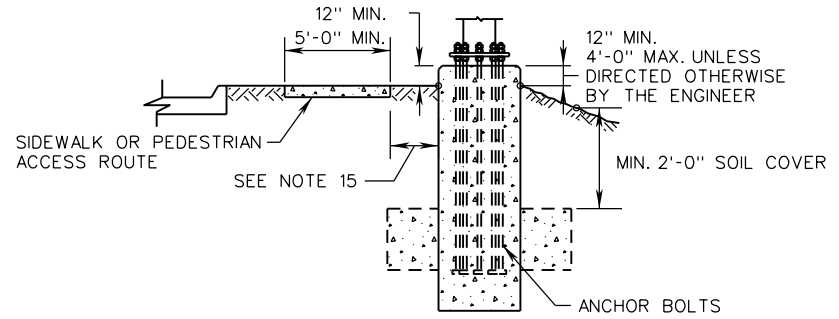
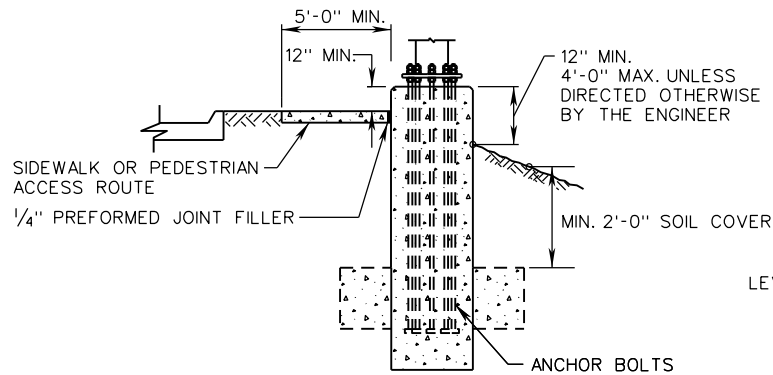


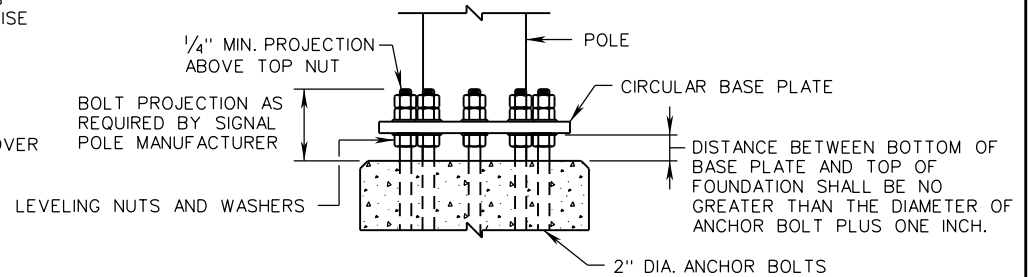
DETAIL A
FOUNDATION NOT IN
SIDEWALK DETAIL



DETAIL B
FOUNDATION ADJACENT
TO SIDEWALK DETAIL



DETAIL C
ALTERNATE FOUNDATION
ADJACENT TO SIDEWALK DETAIL
(IF APPROVED BY THE ENGINEER)



DETAIL D
ANCHOR BOLT AND BASE
PLATE CONNECTION DETAIL

SPECIFICATION
REFERENCE

700

A COPY OF THE ORIGINAL SEALED AND SIGNED DRAWING IS ON FILE IN THE CENTRAL OFFICE.

**SIGNAL POLE FOUNDATION
INSTALLATION DETAILS**

VIRGINIA DEPARTMENT OF TRANSPORTATION

VDOT

ROAD AND BRIDGE STANDARDS

REVISION DATE

07/15

SHEET 2 OF 2

1310.13