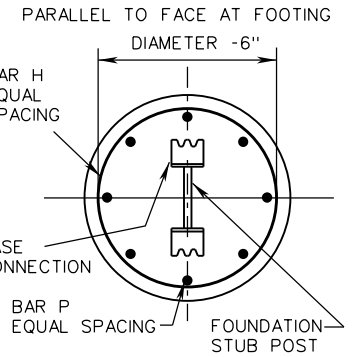


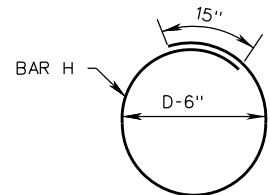
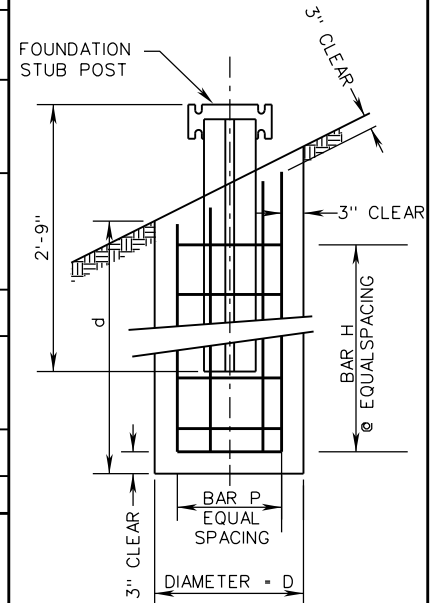
TYPE VIA	FOOTING DIMENSIONS		BAR P			BAR H		
	D	d	LENGTH	BAR SIZE	NO.	BAR SIZE	NO.	LENGTH
A								
B								
C	2'-3"	4'-6"	4'-1"	# 4	8	# 4	5	6'-7"
D								
E								
F								
G								
H								
J	3'-0"	7'-0"	6'-7"	# 6	8	# 4	8	9'-0"
K								
L								
M								
N								
O	3'-6"	9'-0"	8'-7"	# 7	8	# 4	10	10'-7"
P								
Q								
R								
S								
T								
U	3'-0"	7'-0"	6'-7"	# 6	8	# 4	8	9'-0"
V								
W								
X	3'-0"	8'-0"	7'-7"	# 6	8	# 4	9	9'-0"
Y								
Z								
AA	3'-6"	9'-0"	8'-7"	# 7	8	# 4	10	10'-7"
BB								
CC								
DD								
EE	3'-0"	7'-0"	6'-7"	# 6	8	# 4	8	9'-0"
FF								
GG								
HH	3'-6"	9'-0"	8'-7"	# 7	8	# 4	10	10'-7"
JJ								
KK								
LL								
MM	3'-6"	10'-0"	9'-7"	# 8	8	# 4	11	10'-7"
NN								

TYPE VIA	FOOTING DIMENSIONS		BAR P			BAR H		
	D	d	LENGTH	BAR SIZE	NO.	BAR SIZE	NO.	LENGTH
OO								
PP								
QQ	3'-0"	7'-0"	6'-7"	# 6	8	# 4	8	9'-0"
RR								
SS								
TT	3'-0"	8'-0"	7'-7"	# 6	8	# 4	9	9'-0"
UU								
VV								
WW	3'-6"	9'-0"	8'-7"	# 7	8	# 4	10	10'-7"
XX								
YY	3'-6"	10'-0"	9'-7"	# 8	8	# 4	11	10'-7"
ZZ	3'-0"	7'-0"	6'-7"	# 6	8	# 4	8	9'-0"
AB	3'-0"	8'-0"	7'-7"	# 6	8	# 4	9	9'-0"
AC								
AD	3'-6"	9'-0"	8'-7"	# 7	8	# 4	10	10'-7"
AE								
AF								
AG	3'-6"	10'-0"	9'-7"	# 8	8	# 4	11	10'-7"
AH								
AJ	4'-0"	12'-0"	11'-7"	# 9	8	# 4	13	12'-1"
AK								
AL								
AM								
AN	4'-0"	9'-6"	9'-1"	# 7	8	# 4	10	12'-1"
AO								
AP								
AQ								
AR	4'-0"	12'-0"	11'-7"	# 9	8	# 4	13	12'-1"
AS								
AT								
AU								
AV	4'-0"	9'-6"	9'-1"	# 7	8	# 4	10	12'-1"
AW								
AX								
AY	4'-0"	12'-0"	11'-7"	# 9	8	# 4	13	12'-1"
AZ								
BC								
BD	4'-0"	13'-6"	13'-1"	# 10	8	# 4	14	12'-1"

PLAN

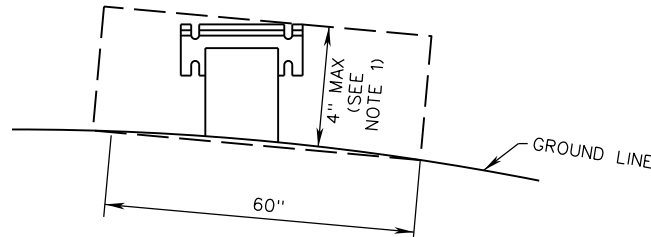


ELEVATION



NOTES:

- 4" MAXIMUM PROJECTION WHEN MEASURED ABOVE A 60" CHORD ALIGNED RADIALLY TO THE CENTERLINE OF THE HIGHWAY AND CONNECTING ANY POINT, WITHIN THE LENGTH OF THE CHORD, ON THE GROUND SURFACE ON THE OTHER SIDE.



METHOD TO DETERMINE
MAXIMUM PROJECTION OF FOUNDATION STUB POST

SPECIFICATION REFERENCE

700

A COPY OF THE ORIGINAL SEALED AND SIGNED DRAWING IS ON FILE IN THE CENTRAL OFFICE.

INTERSTATE SIGN STRUCTURE

INSTALLATION DETAILS

VIRGINIA DEPARTMENT OF TRANSPORTATION



ROAD AND BRIDGE STANDARDS

REVISION DATE
01/15

SHEET 4 OF 10

1323.13