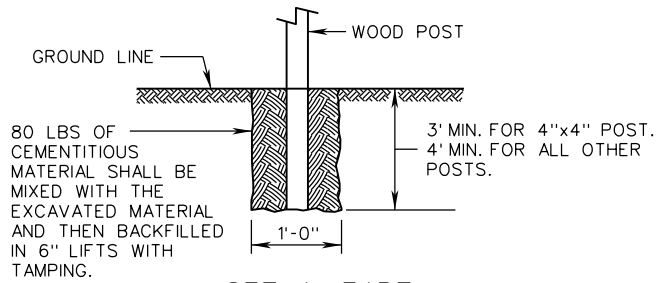
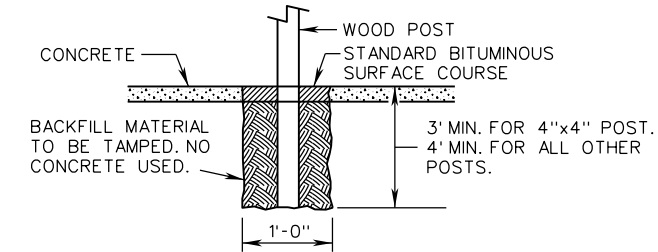


**INSTALLATION DETAILS**

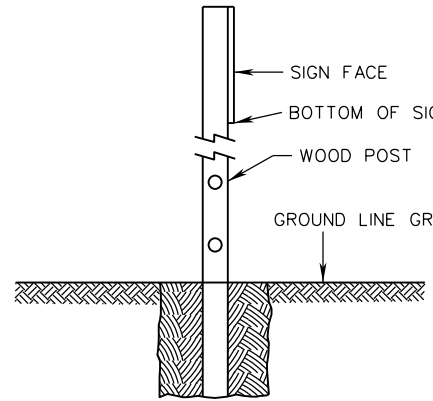


**SET IN EARTH**

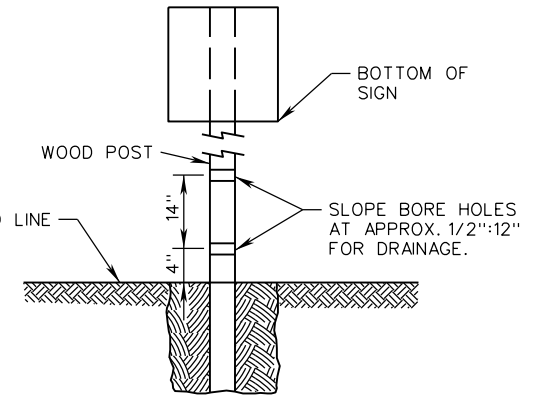


**SET IN CONCRETE**

**METHOD OF POST DRILLING**



**SIDE VIEW**

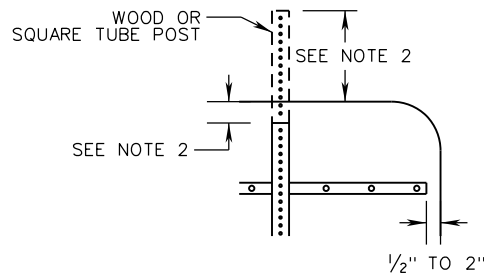


**FRONT VIEW**

**NOTES:**

1. 6" X 6" WOOD POST REQUIRES TWO 2" BORE HOLES.
2. 6" X 8" WOOD POST REQUIRES TWO 3" BORE HOLES.
3. POSTS LESS THAN 6" X 6" DO NOT REQUIRE BORE HOLES.

**BRACING AND POST TOLERANCE DETAIL**



**NOTES:**

1. SIGN WIDTHS GREATER THAN 48" SHALL REQUIRE SIGN BRACING CONFORMING TO STANDARD STP-1.
2. THE TOP OF POST SHALL BE NO MORE THAN 2" BELOW AND NO MORE THAN 2 FEET ABOVE THE TOP OF THE SIGN.

SPECIFICATION REFERENCE

512  
700

A COPY OF THE ORIGINAL SEALED AND SIGNED DRAWING IS ON FILE IN THE CENTRAL OFFICE.

**TEMPORARY SIGNS**  
(FOR CONSTRUCTION, MAINTENANCE, PERMIT AND UTILITY ACTIVITIES)  
**WOOD OR SQUARE TUBE STEEL POST SIGN STRUCTURES**  
VIRGINIA DEPARTMENT OF TRANSPORTATION

**VDOT**

ROAD AND BRIDGE STANDARDS

REVISION DATE

02/16

SHEET 2 OF 6

1320.11