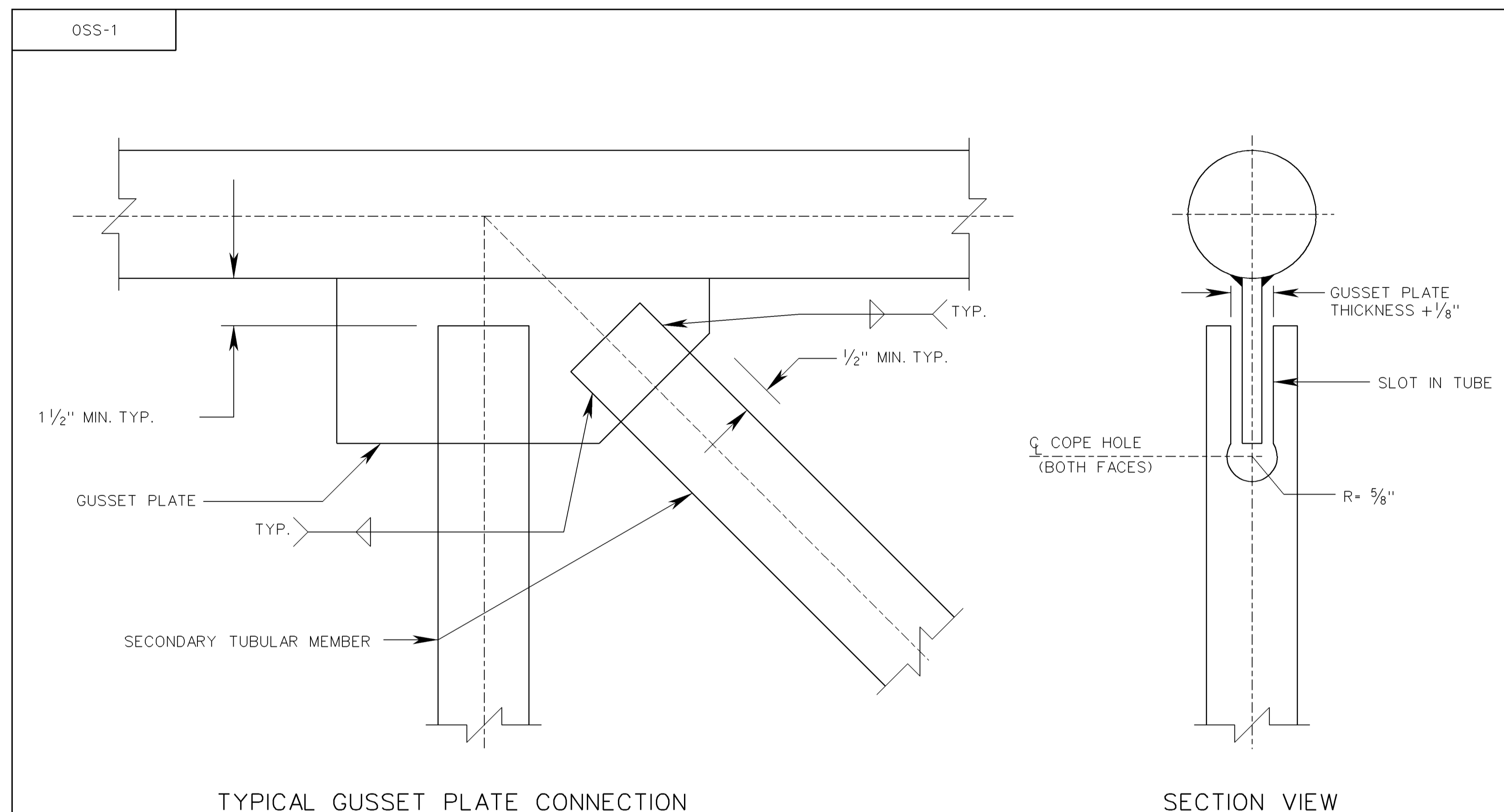


PROJECT MANAGER _____
 SURVEYED BY _____
 DESIGN SUPERVISED BY _____
 DESIGNED BY _____

DESIGN FEATURES RELATING TO CONSTRUCTION OR TO REGULATION AND CONTROL OF TRAFFIC MAY BE SUBJECT TO CHANGE AS DEEMED NECESSARY BY THE DEPARTMENT

REVISED	STATE	FEDERAL AID PROJECT	ROUTE	STATE PROJECT	SHEET NO.
	VA.				



TYPICAL GUSSET PLATE CONNECTION

SECTION VIEW

NOTES:

1. ALL SECONDARY MEMBERS IN BOTH TUBULAR AND NON-TUBULAR STRUCTURES IN IN THE OVERHEAD TRUSS AND THE END POLE SUPPORTS SHALL BE JOINED TO PRIMARY MEMBERS USING A GUSSET CONNECTION PLATE.
2. CONTRACTOR SHALL SPECIFY THE WIDTH, LENGTH, AND THICKNESS OF GUSSET PLATE.
3. CONTRACTOR SHALL SPECIFY THE MINIMUM WELD SIZE AND LENGTH OF WELD.
4. COPE HOLES TO BE PROVIDED AT BOTH ENDS AND BOTH FACES OF ALL SECONDARY MEMBER CONNECTIONS.

<p>ROAD AND BRIDGE STANDARDS</p>		<p>OVERHEAD SIGN STRUCTURE GUSSET PLATE CONNECTION VIRGINIA DEPARTMENT OF TRANSPORTATION</p>	SPECIFICATION REFERENCE
SHEET 3 OF 7 1324.12	REVISION DATE 4/09		700