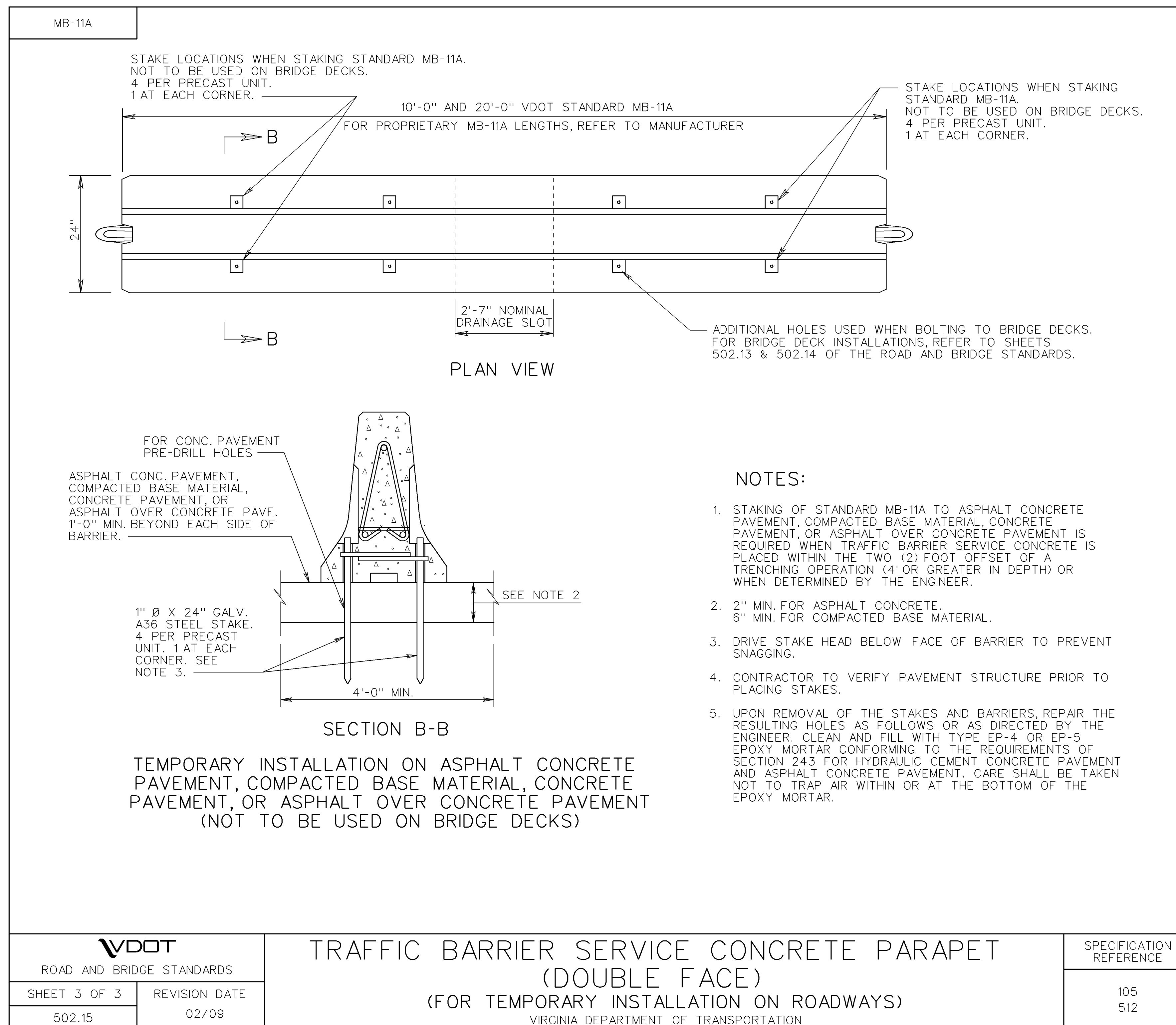


PROJECT MANAGER _____
 SURVEYED BY _____
 DESIGN SUPERVISED BY _____
 DESIGNED BY _____

DESIGN FEATURES RELATING TO CONSTRUCTION OR TO REGULATION AND CONTROL OF TRAFFIC MAY BE SUBJECT TO CHANGE AS DEEMED NECESSARY BY THE DEPARTMENT

REVISED	STATE	FEDERAL AID	ROUTE	STATE	SHEET NO.
	VA.	PROJECT		PROJECT	



4/13/2010 09:56:09

NEW 2/09

SPECIAL DESIGN SECTION DRAWING NO. IIS05_03	PLAN NO.	PROJECT	FILE NO.	SHEET NO.
------------------------------------------------	----------	---------	----------	-----------