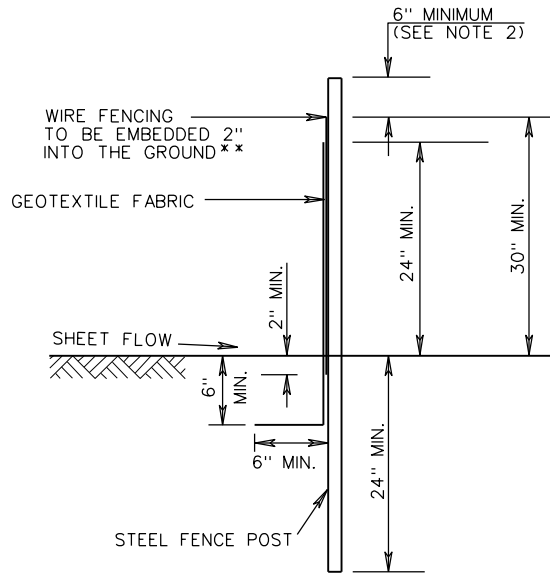
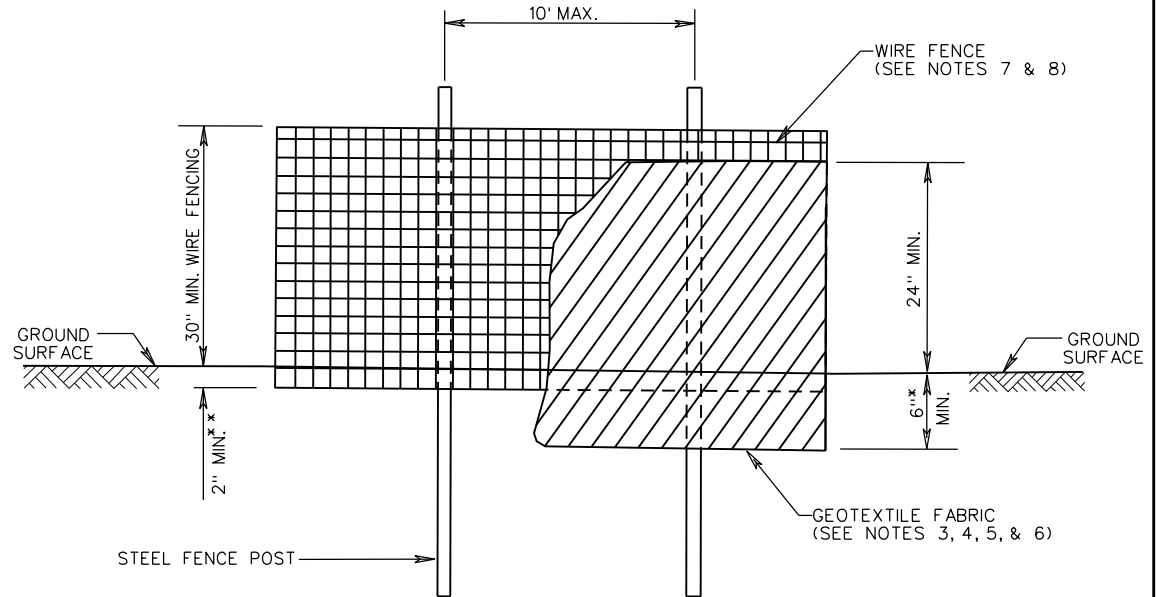


**SILT FENCE TYPE B**

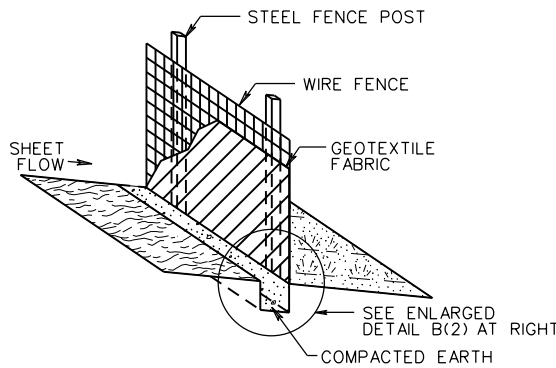
SEE SHEET 1 FOR NOTES



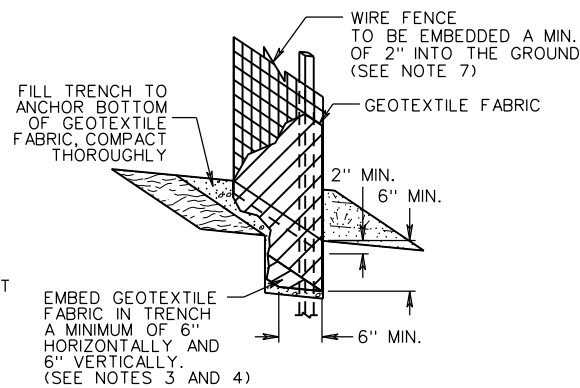
**SECTION VIEW**



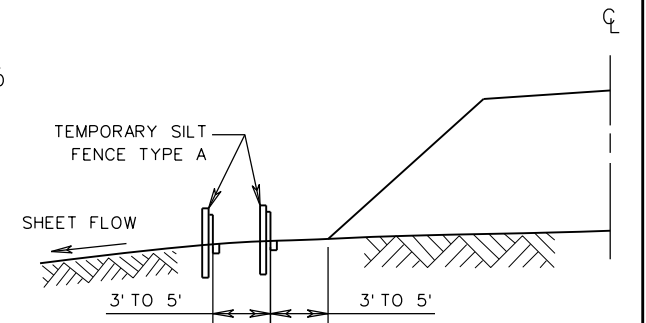
**PROFILE VIEW**



**DETAIL B(1)**



**DETAIL B(2)**



**ALTERNATIVE SILT FENCE TYPE B**  
(SEE NOTE 10)

SPECIFICATION REFERENCE

- 107
- 242
- 245
- 303

A COPY OF THE ORIGINAL SEALED AND SIGNED DRAWING IS ON FILE IN THE CENTRAL OFFICE.

**TEMPORARY SILT BARRIERS**  
**SILT FENCE (TYPE A & B) AND BRUSH BARRIER**  
VIRGINIA DEPARTMENT OF TRANSPORTATION

**VDOT**

ROAD AND BRIDGE STANDARDS

REVISION DATE

08/14

SHEET 3 OF 4

113.07B