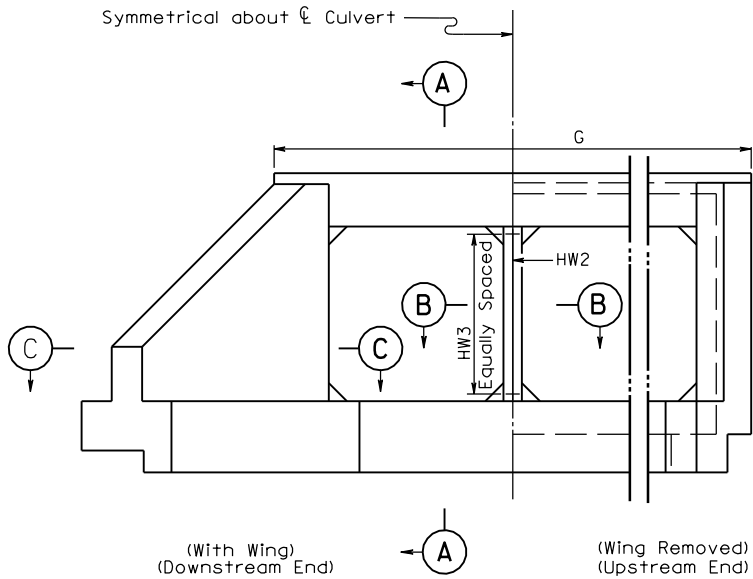


Symmetrical about ℓ Culvert



END ELEVATION

REINFORCING BAR DIAGRAMS

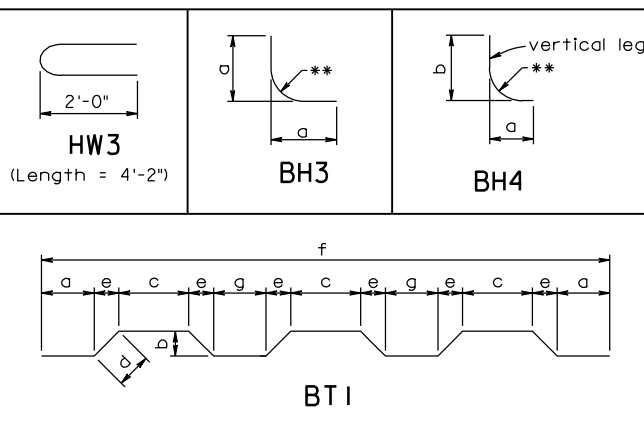
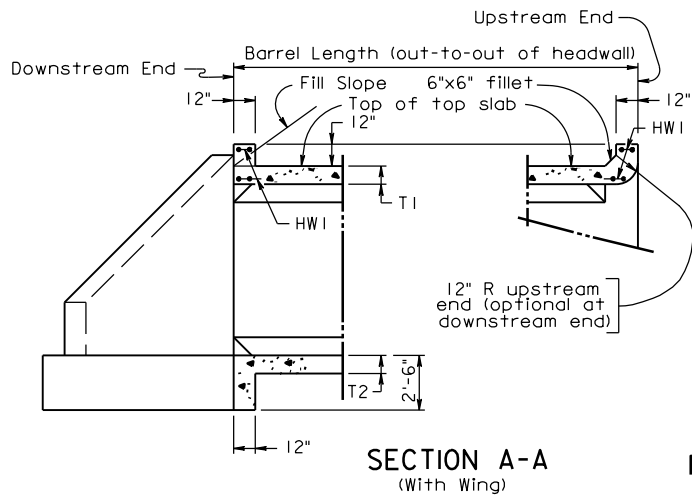
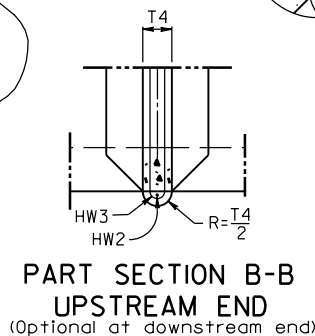


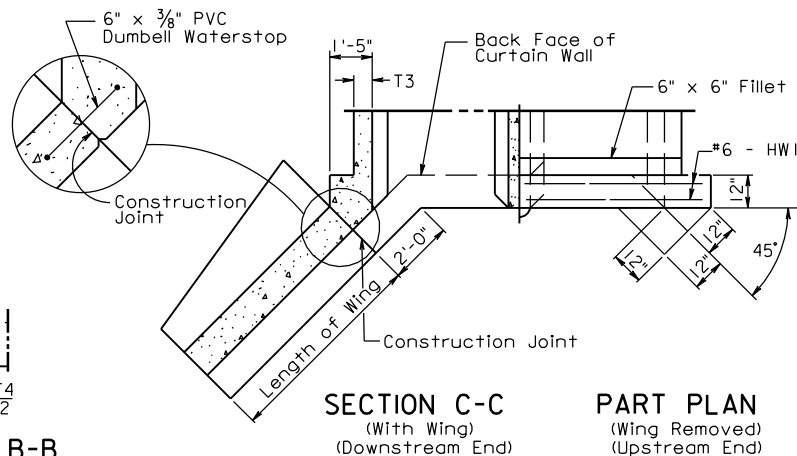
TABLE A	
Bar Size	Pin Dia.
#3	2 1/4"
#4	3"
#5	3 3/4"
#6	4 1/2"
#7	5 1/4"
#8	6"
#9	9"



SECTION A-A
(With Wing)



PART SECTION B-B
UPSTREAM END
(Optional at downstream end)



SECTION C-C
(With Wing)
(Downstream End)

PART PLAN
(Wing Removed)
(Upstream End)



ROAD AND BRIDGE STANDARDS

SHEET 3 OF 3

REVISION DATE

1005.03

07/11

QUADRUPLE BOX CULVERTS
STANDARD DETAIL

VIRGINIA DEPARTMENT OF TRANSPORTATION

SPECIFICATION
REFERENCE