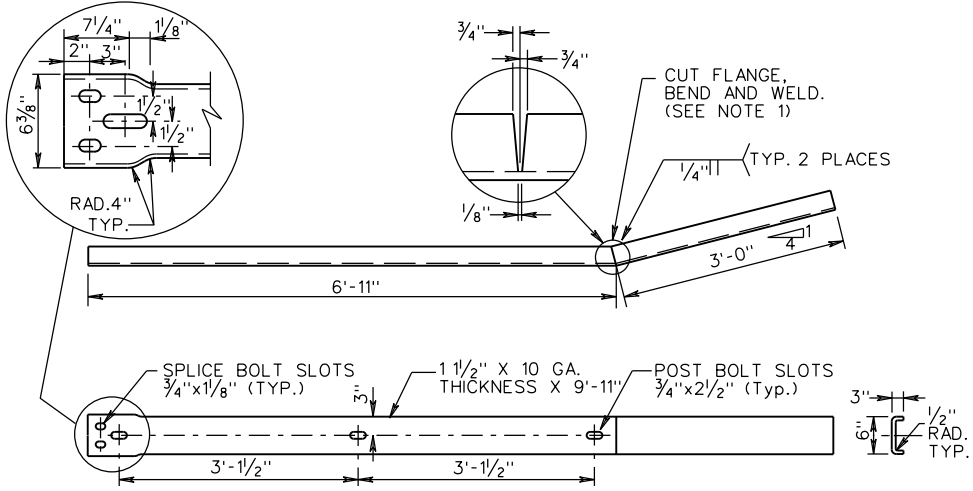
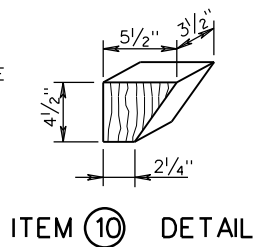
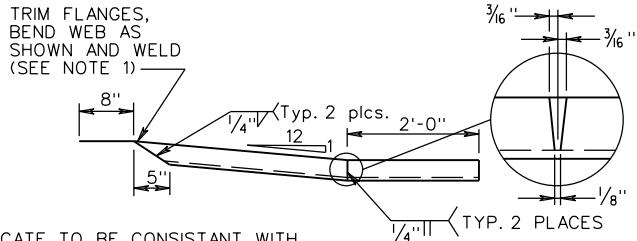


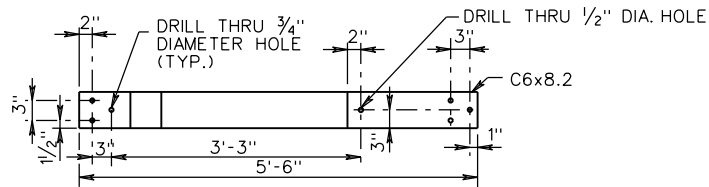
BEARING PLATE



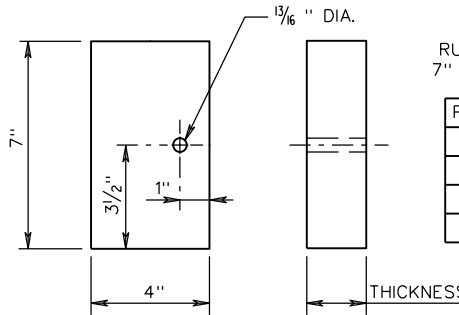
ITEM 7 DETAIL



FABRICATE TO BE CONSISTANT WITH THE SLOPE OF THE PARAPET OR BARRIER AND ATTACH FLUSH TO SLOPE.



ITEM 8 DETAIL



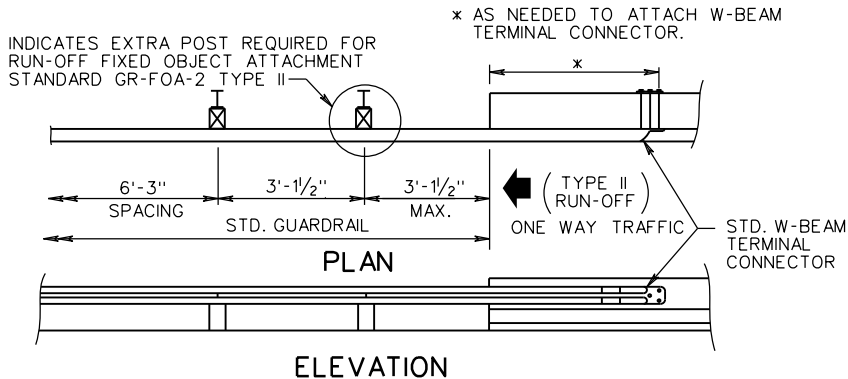
RUBRAIL BLOCKOUT DETAIL

STEEL POSTS
RUBRAIL BLOCKOUTS
7" X 4" X THICKNESS

POST	THICKNESS
1	4 1/4"
2	3 1/4"
3	2"
4	1"

WOOD POSTS
RUBRAIL BLOCKOUTS
7" X 4" X THICKNESS

POST	THICKNESS
1	6 1/4"
2	4 5/8"
3	3 1/8"
4	1 1/2"



ELEVATION

NOTES:
1. CAN BE FIELD CUT AND BENT USING HEAT. IF SHOP CUT AND BENT, RIGHT HAND OR LEFT HAND MUST BE SPECIFIED DEPENDING ON WHICH SIDE OF THE ROADWAY THE TRANSITION IS USED.

A COPY OF THE ORIGINAL SEALED AND SIGNED DRAWING IS ON FILE IN THE CENTRAL OFFICE.
W-BEAM GUARDRAIL - FIXED OBJECT ATTACHMENT

RUBRAIL AND HARDWARE DETAILS

VIRGINIA DEPARTMENT OF TRANSPORTATION

SPECIFICATION REFERENCE

505



ROAD AND BRIDGE STANDARDS

SHEET 3 OF 3

REVISION DATE

501.30

01/14