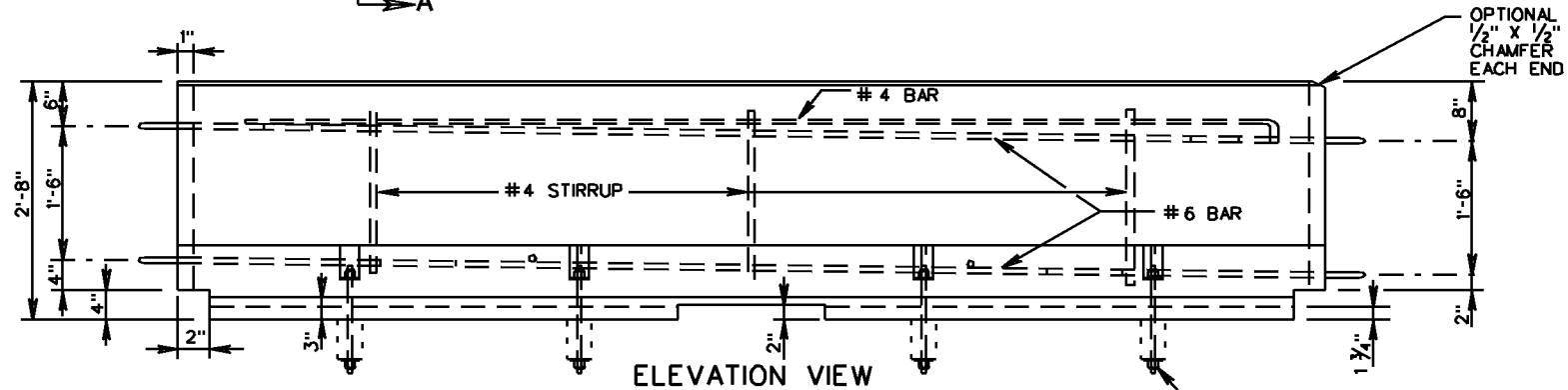
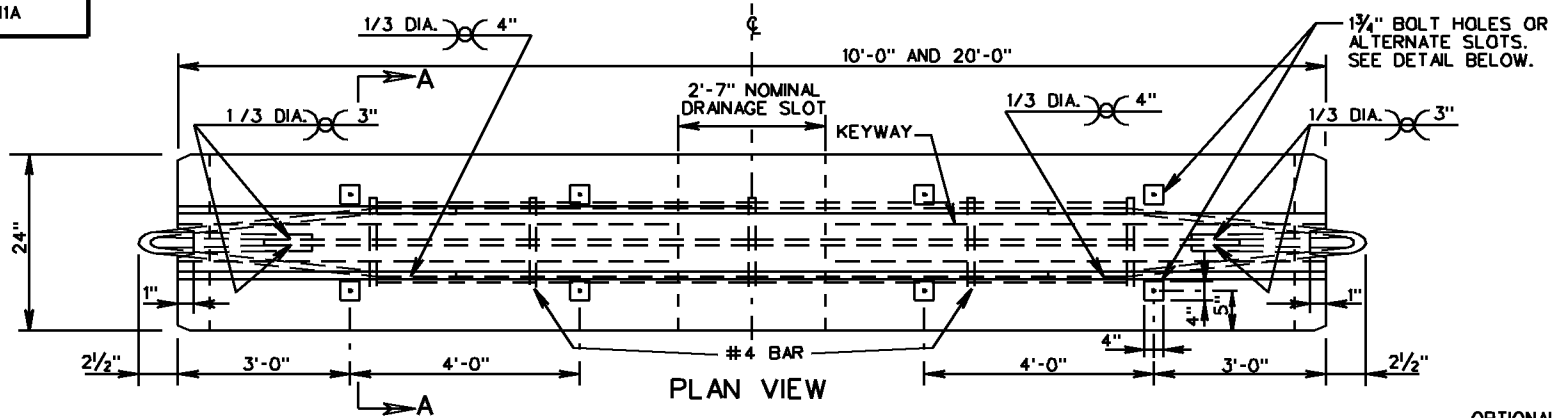


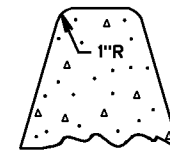
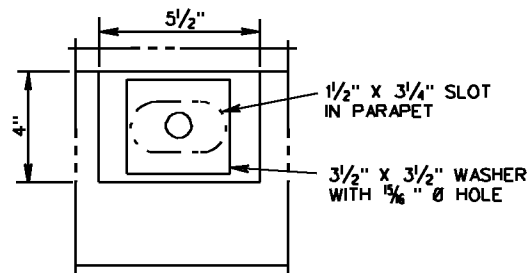
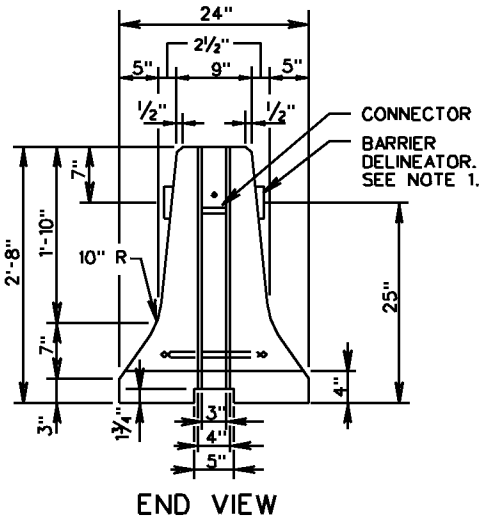
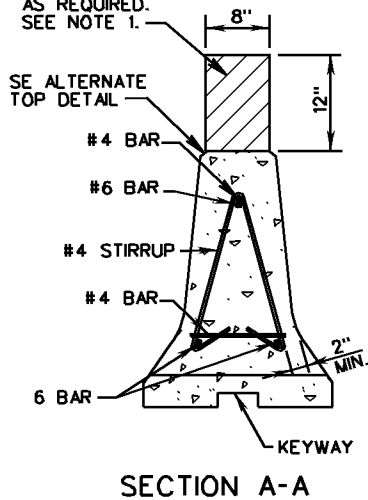
MB-11A



3 1/2" X 3 1/2" X 1/2" SQUARE WASHER. SEE DETAIL B, SHEET 2 OF 2.

8" X 12" BARRIER VERTICAL PANELS AS REQUIRED. SEE NOTE 1.

SEE ALTERNATE TOP DETAIL



VDOT

ROAD AND BRIDGE STANDARDS

SHEET 1 OF 3

REVISION DATE

502.13

01/09

TRAFFIC BARRIER SERVICE CONCRETE PARAPET (DOUBLE FACE)

(FOR TEMPORARY INSTALLATION ON BRIDGE DECK EXTERIOR)

VIRGINIA DEPARTMENT OF TRANSPORTATION

SPECIFICATION REFERENCE

105  
512