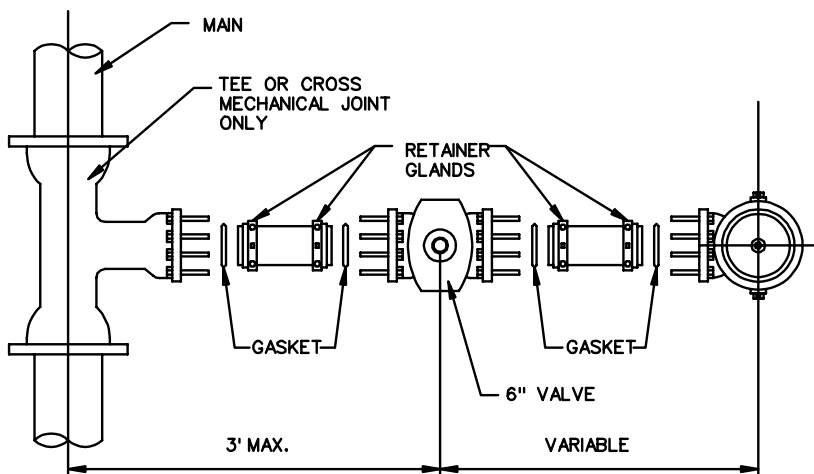


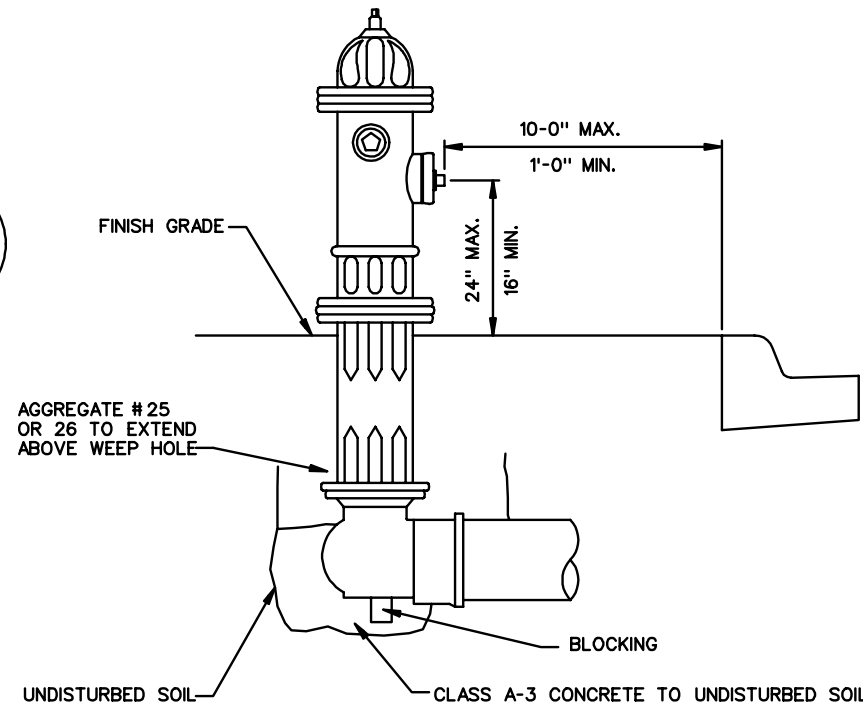
TYPE 1 RESTRAINT

NOTES:

RODS MAY BE INSERTED THROUGH BOLT HOLES IN LIEU OF USING TIE-BOLTS. IF USED, KEEPER NUT & WASHER MUST BE INSTALLED BEHIND GLAND.



TYPE 2 RESTRAINT



NOTES:

1. HYDRANTS TO BE SET WITH BURY LINE POSITIONED AT GRADE WITH NOZZLES SET AS INDICATED ABOVE.
2. WHEN SET BEHIND CURB THE HOSE NOZZLES ARE TO BE PARALLEL OR AT RIGHT ANGLES TO THE CURB, WITH THE PUMPER NOZZLE FACING THE CURB.
3. BOWL OF THE HYDRANT TO BE BLOCKED AGAINST UNDISTURBED EARTH WITH CLASS A3 CONCRETE OR AS DIRECTED BY THE ENGINEER.
4. FIRE HYDRANTS SHALL HAVE TWO 2 1/2" HOSE NOZZLE AND THE SIZE OF THE PUMPER NOZZLE & TYPE OF OPERATING NUT SHALL BE AS SPECIFIED ON THE PLANS.

SPECIFICATION REFERENCE

FIRE HYDRANT

VIRGINIA DEPARTMENT OF TRANSPORTATION



ROAD AND BRIDGE STANDARDS

REVISION DATE

SHEET 1 OF 1

1407.01