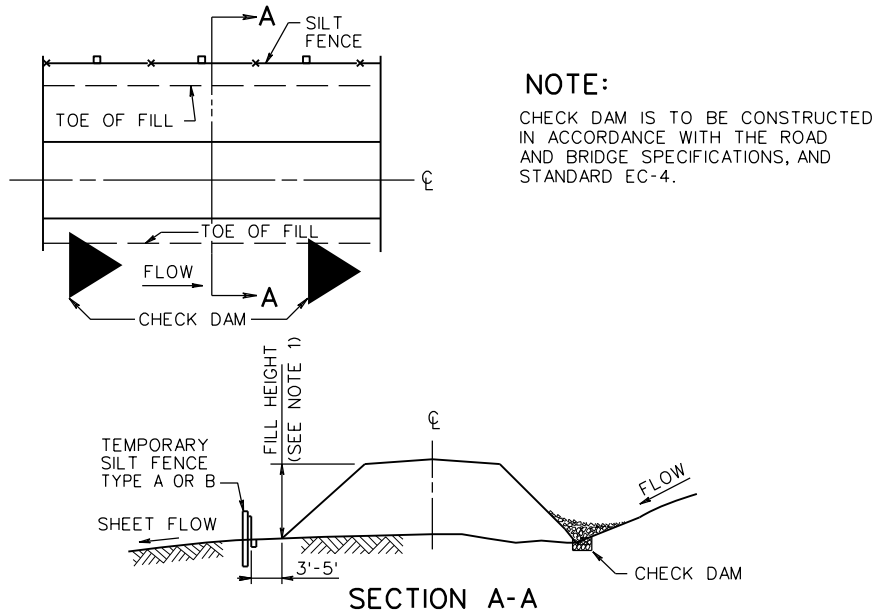
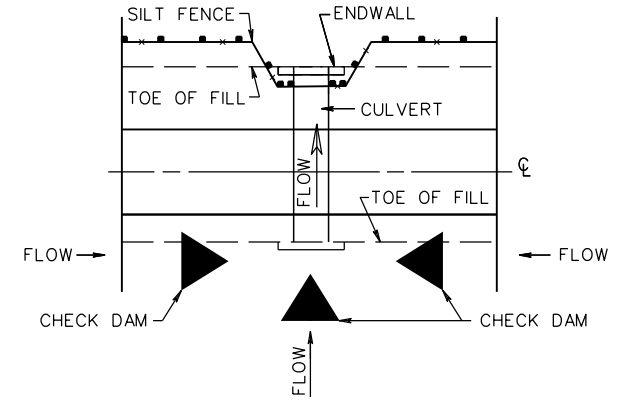


TYPICAL DETAIL FOR TEMPORARY SILT FENCE/CHECK DAM AT TOE OF FILL



**NOTE:**  
CHECK DAM IS TO BE CONSTRUCTED IN ACCORDANCE WITH THE ROAD AND BRIDGE SPECIFICATIONS, AND STANDARD EC-4.

TYPICAL DETAIL FOR TEMPORARY SILT FENCE/CHECK DAM AT CULVERT



**NOTE:**  
CHECK DAM IS TO BE CONSTRUCTED IN ACCORDANCE WITH THE ROAD AND BRIDGE SPECIFICATIONS, AND STANDARD EC-4.

NOTES FOR SILT FENCE TYPE A & B:

1. USE OF TYPE A SILT FENCE IS LIMITED TO A FILL HEIGHT OF 20 FEET OR LESS. TYPE B SILT FENCE MUST BE USED WHERE THE FILL HEIGHT EXCEEDS 20 FEET.
2. ALL POSTS SHALL BE DRIVEN 24" MIN. INTO THE GROUND AND SHALL EXTEND 6" ABOVE THE FILTER FABRIC (TYPE A) OR WIRE FENCE (TYPE B). WOODEN POSTS SHALL BE OAK AND HAVE MIN. DIMENSIONS OF 2" BY 2". STEEL POSTS SHALL HAVE A MINIMUM WEIGHT OF 1.33 POUNDS PER LINEAR FOOT.
3. GEOTEXTILE FABRIC SHALL BE EMBEDDED 12" INTO THE GROUND (6" VERTICALLY AND 6" HORIZONTALLY ALONG THE BOTTOM OF TRENCH) AS SHOWN IN DETAILS A(2) & B(2) ON SHEETS 2 AND 3.
4. SLICING IS AN APPROVED ALTERNATIVE TO TRENCHING FOR ANCHORING THE GEOTEXTILE FABRIC INTO THE GROUND SHOWN IN DETAILS A(2) & B(2) ON SHEETS 2 AND 3. SLICING SHALL BE ACCOMPLISHED IN ACCORDANCE WITH SECTION 303 OF THE ROAD AND BRIDGE SPECIFICATIONS.
5. WHEN TWO SEPARATE SECTIONS OF GEOTEXTILE FABRIC ADJOIN EACH OTHER, THEY SHALL OVERLAP BY 6" AND BE DOUBLE FOLDED.
6. GEOTEXTILE FABRIC SHALL BE FASTENED SECURELY TO THE POSTS (TYPE A & B) AND WIRE FENCE (TYPE B ONLY). THE ATTACHMENTS TO THE WIRE FENCE SHALL BE MADE WITH TIES SPACED EVERY 24" HORIZONTALLY AT BOTH THE TOP AND VERTICAL MIDPOINT OF THE GEOTEXTILE FABRIC.
7. WIRE FENCE (TYPE B ONLY) SHALL BE FASTENED SECURELY TO THE FENCE POSTS WITH WIRE TIES AND EMBEDDED A MINIMUM OF 2" IN THE GROUND.
8. WIRE FENCE (TYPE B ONLY) SHALL BE A MINIMUM OF 14 GAUGE WELDED WIRE WITH A MESH SPACING OF 2" BY 4". ALTERNATIVE MESH SPACING MAY BE APPROVED BY THE ENGINEER, BUT MUST BE NO MORE THAN 6" BY 6".
9. FOR AREAS REQUIRING TYPE B SILT FENCE, A MINIMUM LENGTH OF 100 LINEAR FEET SHALL BE INSTALLED.
10. AS AN ALTERNATIVE TO UTILIZING TYPE B SILT FENCE, TWO ROWS OF TYPE A SILT FENCE MAY BE PLACED PARALLEL TO EACH OTHER WITH 3' TO 5' BETWEEN THE TWO ROWS. THIS OPTION MAY BE USED AT ALL LOCATIONS SPECIFYING TYPE B SILT FENCE UNLESS OTHERWISE PROHIBITED BY THE PLANS. SEE DETAIL ON SHEET 3 (BOTTOM RIGHT).
11. MATERIALS FOR ALL SILT FENCE SHALL CONFORM TO THE REQUIREMENTS OF SECTION 242 OF THE VDOT ROAD & BRIDGE SPECIFICATIONS.

SPECIFICATION REFERENCE

107  
242  
245  
303

A COPY OF THE ORIGINAL SEALED AND SIGNED DRAWING IS ON FILE IN THE CENTRAL OFFICE.

TEMPORARY SILT BARRIERS  
SILT FENCE (TYPE A & B) AND BRUSH BARRIER

VIRGINIA DEPARTMENT OF TRANSPORTATION

VDOT

ROAD AND BRIDGE STANDARDS

REVISION DATE

08/14

SHEET 1 OF 4

113.07