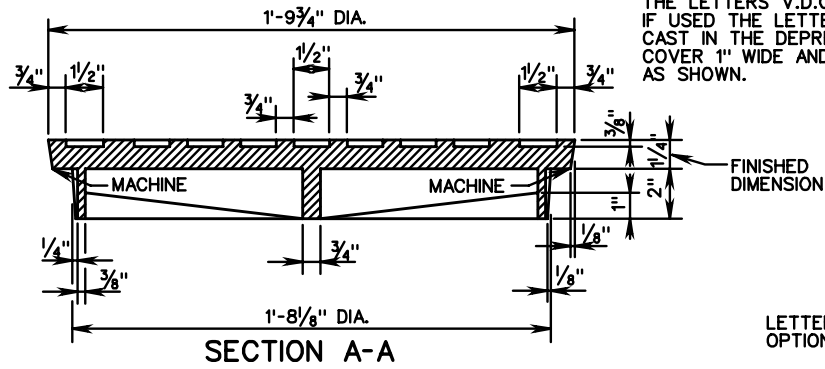
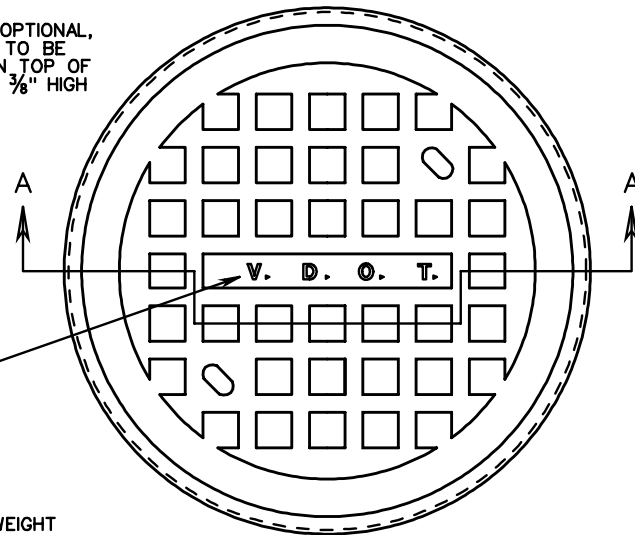


MH-1A

NOTES:
THE LETTERS V.D.O.T. ARE OPTIONAL,
IF USED THE LETTERS ARE TO BE
CAST IN THE DEPRESSION IN TOP OF
COVER 1" WIDE AND RAISED $\frac{3}{8}$ " HIGH
AS SHOWN.

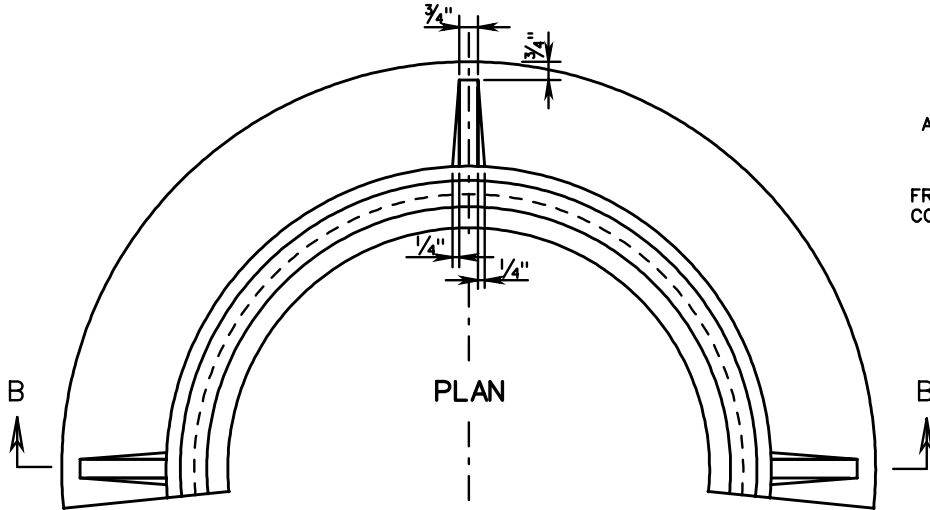


SECTION A-A

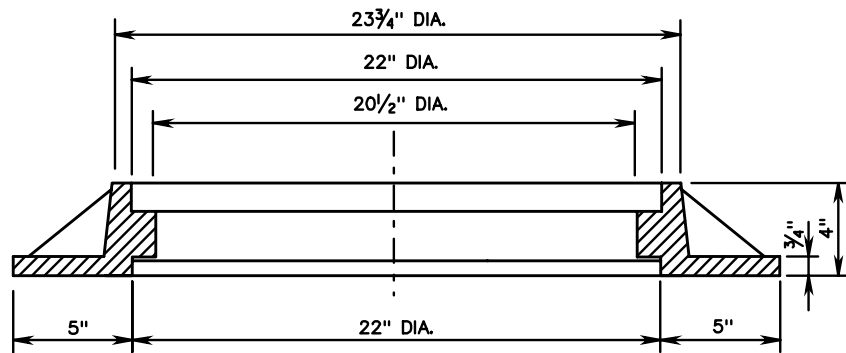


TOP

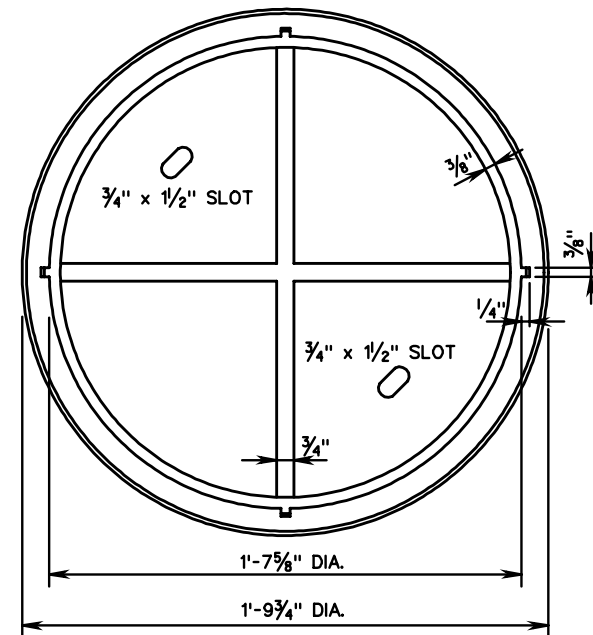
APPROXIMATE WEIGHT
CAST IRON
FRAME 174 ± 9 LBS.
COVER 137 ± 7 LBS.



PLAN



SECTION B-B



BOTTOM



ROAD AND BRIDGE STANDARDS

SHEET 1 OF 1

REVISION DATE

106.06

STANDARD MANHOLE FRAME AND COVER

VIRGINIA DEPARTMENT OF TRANSPORTATION

SPECIFICATION
REFERENCE

224
302